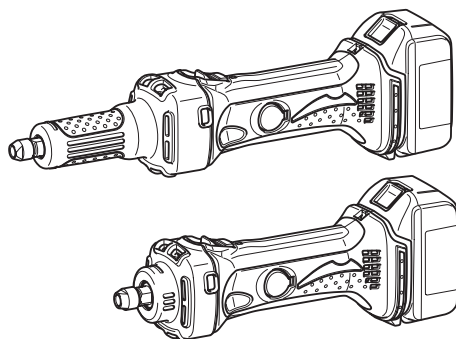


INSTRUCTION MANUAL
MANUEL D'INSTRUCTION
MANUAL DE INSTRUCCIONES



Cordless Die Grinder Meuleuse Droite Sans Fil Rectificador Inalámbrico

DGD800
DGD801



IMPORTANT: Read Before Using.

IMPORTANT : Lire avant usage.

IMPORTANTE: Lea antes de usar.

SPECIFICATIONS

Model		DGD800		DGD801	
Max. collet capacity		6.35 mm (1/4")			
Wheel Point	Max. wheel diameter	36 mm (1-7/16")			
	Max. mandrel (shank) diameter	6.35 mm (1/4")			
	Max. mandrel (shank) length	46 mm (1-13/16")			
Rated speed (RPM)		26,000 /min			
Overall length		402 mm (15-3/4")		307 mm (12-1/8")	
Net weight		1.7 kg (3.8 lbs)	2.0 kg (4.4 lbs)	1.4 kg (3.1 lbs)	1.7 kg (3.8 lbs)
Rated voltage		D.C. 18 V			
Standard battery cartridge		BL1815N / BL1820B	BL1830 / BL1830B / BL1840B / BL1850B / BL1860B	BL1815N / BL1820B	BL1830 / BL1830B / BL1840B / BL1850B / BL1860B

- Due to our continuing program of research and development, the specifications herein are subject to change without notice.
- Specifications and battery cartridge may differ from country to country.
- Weight, with battery cartridge, according to EPTA-Procedure 01/2003

General Power Tool Safety Warnings

⚠WARNING Read all safety warnings and all instructions. Failure to follow the warnings and instructions may result in electric shock, fire and/or serious injury.

Save all warnings and instructions for future reference.

The term "power tool" in the warnings refers to your mains-operated (corded) power tool or battery-operated (cordless) power tool.

Work area safety

1. **Keep work area clean and well lit.** Cluttered or dark areas invite accidents.
2. **Do not operate power tools in explosive atmospheres, such as in the presence of flammable liquids, gases or dust.** Power tools create sparks which may ignite the dust or fumes.
3. **Keep children and bystanders away while operating a power tool.** Distractions can cause you to lose control.

Electrical safety

4. **Power tool plugs must match the outlet. Never modify the plug in any way. Do not use any adapter plugs with earthed (grounded) power tools.** Unmodified plugs and matching outlets will reduce risk of electric shock.
5. **Avoid body contact with earthed or grounded surfaces such as pipes, radiators, ranges and refrigerators.** There is an increased risk of electric shock if your body is earthed or grounded.
6. **Do not expose power tools to rain or wet conditions.** Water entering a power tool will increase the risk of electric shock.

7. **Do not abuse the cord. Never use the cord for carrying, pulling or unplugging the power tool. Keep cord away from heat, oil, sharp edges or moving parts.** Damaged or entangled cords increase the risk of electric shock.
8. **When operating a power tool outdoors, use an extension cord suitable for outdoor use.** Use of a cord suitable for outdoor use reduces the risk of electric shock.
9. **If operating a power tool in a damp location is unavoidable, use a ground fault circuit interrupter (GFCI) protected supply.** Use of an GFCI reduces the risk of electric shock.

Personal safety

10. **Stay alert, watch what you are doing and use common sense when operating a power tool. Do not use a power tool while you are tired or under the influence of drugs, alcohol or medication.** A moment of inattention while operating power tools may result in serious personal injury.
11. **Use personal protective equipment. Always wear eye protection.** Protective equipment such as dust mask, non-skid safety shoes, hard hat, or hearing protection used for appropriate conditions will reduce personal injuries.
12. **Prevent unintentional starting. Ensure the switch is in the off-position before connecting to power source and/or battery pack, picking up or carrying the tool.** Carrying power tools with your finger on the switch or energising power tools that have the switch on invites accidents.
13. **Remove any adjusting key or wrench before turning the power tool on.** A wrench or a key left attached to a rotating part of the power tool may result in personal injury.
14. **Do not overreach. Keep proper footing and balance at all times.** This enables better control of the power tool in unexpected situations.

15. **Dress properly. Do not wear loose clothing or jewellery. Keep your hair, clothing, and gloves away from moving parts.** Loose clothes, jewellery or long hair can be caught in moving parts.
16. **If devices are provided for the connection of dust extraction and collection facilities, ensure these are connected and properly used.** Use of dust collection can reduce dust-related hazards.

Power tool use and care

17. **Do not force the power tool. Use the correct power tool for your application.** The correct power tool will do the job better and safer at the rate for which it was designed.
18. **Do not use the power tool if the switch does not turn it on and off.** Any power tool that cannot be controlled with the switch is dangerous and must be repaired.
19. **Disconnect the plug from the power source and/or the battery pack from the power tool before making any adjustments, changing accessories, or storing power tools.** Such preventive safety measures reduce the risk of starting the power tool accidentally.
20. **Store idle power tools out of the reach of children and do not allow persons unfamiliar with the power tool or these instructions to operate the power tool.** Power tools are dangerous in the hands of untrained users.
21. **Maintain power tools. Check for misalignment or binding of moving parts, breakage of parts and any other condition that may affect the power tool's operation. If damaged, have the power tool repaired before use.** Many accidents are caused by poorly maintained power tools.
22. **Keep cutting tools sharp and clean.** Properly maintained cutting tools with sharp cutting edges are less likely to bind and are easier to control.
23. **Use the power tool, accessories and tool bits etc. in accordance with these instructions, taking into account the working conditions and the work to be performed.** Use of the power tool for operations different from those intended could result in a hazardous situation.

Battery tool use and care

24. **Recharge only with the charger specified by the manufacturer.** A charger that is suitable for one type of battery pack may create a risk of fire when used with another battery pack.
25. **Use power tools only with specifically designated battery packs.** Use of any other battery packs may create a risk of injury and fire.
26. **When battery pack is not in use, keep it away from other metal objects, like paper clips, coins, keys, nails, screws or other small metal objects, that can make a connection from one terminal to another.** Shorting the battery terminals together may cause burns or a fire.
27. **Under abusive conditions, liquid may be ejected from the battery; avoid contact. If contact accidentally occurs, flush with water. If liquid contacts eyes, additionally seek medical help.** Liquid ejected from the battery may cause irritation or burns.

Service

28. **Have your power tool serviced by a qualified repair person using only identical replacement parts.** This will ensure that the safety of the power tool is maintained.
29. **Follow instruction for lubricating and changing accessories.**
30. **Keep handles dry, clean and free from oil and grease.**

CORDLESS DIE GRINDER SAFETY WARNINGS

Safety Warnings Common for Grinding Operation:

1. **This power tool is intended to function as a grinder. Read all safety warnings, instructions, illustrations and specifications provided with this power tool.** Failure to follow all instructions listed below may result in electric shock, fire and/or serious injury.
2. **Operations such as sanding, wire brushing, polishing or cutting-off are not recommended to be performed with this power tool.** Operations for which the power tool was not designed may create a hazard and cause personal injury.
3. **Do not use accessories which are not specifically designed and recommended by the tool manufacturer.** Just because the accessory can be attached to your power tool, it does not assure safe operation.
4. **The RATED SPEED of the accessories must be at least equal to the maximum speed marked on the power tool.** Accessories running faster than their RATED SPEED can break and fly apart.
5. **The outside diameter and the thickness of your accessory must be within the capacity rating of your power tool.** Incorrectly sized accessories cannot be adequately controlled.
6. **The arbour size of accessories must properly fit the collet of the power tool.** Accessories that do not match the mounting hardware of the power tool will run out of balance, vibrate excessively and may cause loss of control.
7. **Mandrel mounted accessories must be fully inserted into the collet or chuck.** If the mandrel is insufficiently held and/or the overhang of the wheel is too long, the mounted accessory may become loose and be ejected at high velocity.
8. **Do not use a damaged accessory. Before each use inspect the accessory such as abrasive wheels for chips and cracks. If power tool or accessory is dropped, inspect for damage or install an undamaged accessory. After inspecting and installing an accessory, position yourself and bystanders away from the plane of the rotating accessory and run the power tool at maximum no-load speed for one minute.** Damaged accessories will normally break apart during this test time.

9. **Wear personal protective equipment.** Depending on application, use face shield, safety goggles or safety glasses. As appropriate, wear dust mask, hearing protectors, gloves and workshop apron capable of stopping small abrasive or workpiece fragments. The eye protection must be capable of stopping flying debris generated by various operations. The dust mask or respirator must be capable of filtering particles generated by your operation. Prolonged exposure to high intensity noise may cause hearing loss.
10. **Keep bystanders a safe distance away from work area. Anyone entering the work area must wear personal protective equipment.** Fragments of workpiece or of a broken accessory may fly away and cause injury beyond immediate area of operation.
11. **Hold the power tool by insulated gripping surfaces only, when performing an operation where the cutting tool may contact hidden wiring.** Cutting accessory contacting a "live" wire may make exposed metal parts of the power tool "live" and could give the operator an electric shock.
12. **Always hold the tool firmly in your hand(s) during the start-up.** The reaction torque of the motor, as it accelerates to full speed, can cause the tool to twist.
13. **Use clamps to support workpiece whenever practical. Never hold a small workpiece in one hand and the tool in the other hand while in use.** Clamping a small workpiece allows you to use your hand(s) to control the tool. Round material such as dowel rods, pipes or tubing have a tendency to roll while being cut, and may cause the bit to bind or jump toward you.
14. **Never lay the power tool down until the accessory has come to a complete stop.** The spinning accessory may grab the surface and pull the power tool out of your control.
15. **After changing the bits or making any adjustments, make sure the collet nut, chuck or any other adjustment devices are securely tightened.** Loose adjustment devices can unexpectedly shift, causing loss of control, loose rotating components will be violently thrown.
16. **Do not run the power tool while carrying it at your side.** Accidental contact with the spinning accessory could snag your clothing, pulling the accessory into your body.
17. **Regularly clean the power tool's air vents.** The motor's fan will draw the dust inside the housing and excessive accumulation of powdered metal may cause electrical hazards.
18. **Do not operate the power tool near flammable materials.** Sparks could ignite these materials.
19. **Do not use accessories that require liquid coolants.** Using water or other liquid coolants may result in electrocution or shock.

Kickback and Related Warnings

Kickback is a sudden reaction to a pinched or snagged rotating accessory. Pinching or snagging causes rapid stalling of the rotating accessory which in turn causes the uncontrolled power tool to be forced in the direction opposite of the accessory's rotation.

For example, if an abrasive wheel is snagged or pinched by the workpiece, the edge of the wheel that is entering into the pinch point can dig into the surface of the material causing the wheel to climb out or kick out. The wheel may either jump toward or away from the operator, depending on direction of the wheel's movement at the point of pinching. Abrasive wheels may also break under these conditions.

Kickback is the result of power tool misuse and/or incorrect operating procedures or conditions and can be avoided by taking proper precautions as given below.

- a) **Maintain a firm grip on the power tool and position your body and arm to allow you to resist kickback forces.** The operator can control kickback forces, if proper precautions are taken.
- b) **Use special care when working corners, sharp edges etc. Avoid bouncing and snagging the accessory.** Corners, sharp edges or bouncing have a tendency to snag the rotating accessory and cause loss of control or kickback.
- c) **Do not attach a toothed saw blade.** Such blades create frequent kickback and loss of control.
- d) **Always feed the bit into the material in the same direction as the cutting edge is exiting from the material (which is the same direction as the chips are thrown).** Feeding the tool in the wrong direction causes the cutting edge of the bit to climb out of the work and pull the tool in the direction of this feed.

Safety Warnings Specific for Grinding:

- a) **Use only wheel types that are recommended for your power tool and only for recommended applications.**

Additional safety warnings:

20. **The tool is intended for use with bonded abrasive wheel points (grinding stones) permanently mounted on plain, unthreaded mandrel (shanks).**
21. **Make sure the wheel is not contacting the workpiece before the switch is turned on.**
22. **Before using the tool on an actual workpiece, let it run for a while. Watch for vibration or wobbling that could indicate poor installation or a poorly balanced wheel.**
23. **Use the specified surface of the wheel to perform the grinding.**
24. **Watch out for flying sparks. Hold the tool so that sparks fly away from you and other persons or flammable materials.**
25. **Do not leave the tool running. Operate the tool only when hand-held.**
26. **Do not touch the workpiece immediately after operation; it may be extremely hot and could burn your skin.**
27. **Observe the instructions of the manufacturer for correct mounting and use of wheels. Handle and store wheels with care.**

28. Check that the workpiece is properly supported.
29. If working place is extremely hot and humid, or badly polluted by conductive dust, use a short-circuit breaker (30 mA) to assure operator safety.
30. Do not use the tool on any materials containing asbestos.
31. Always be sure you have a firm footing. Be sure no one is below when using the tool in high locations.

SAVE THESE INSTRUCTIONS.

⚠WARNING: DO NOT let comfort or familiarity with product (gained from repeated use) replace strict adherence to safety rules for the subject product. **MISUSE** or failure to follow the safety rules stated in this instruction manual may cause serious personal injury.

Symbols

The followings show the symbols used for tool.

v	volts
—	direct current
n	rated speed
... /min	revolutions or reciprocation per minute
r /min	

IMPORTANT SAFETY INSTRUCTIONS

FOR BATTERY CARTRIDGE

1. Before using battery cartridge, read all instructions and cautionary markings on (1) battery charger, (2) battery, and (3) product using battery.
2. Do not disassemble battery cartridge.
3. If operating time has become excessively shorter, stop operating immediately. It may result in a risk of overheating, possible burns and even an explosion.
4. If electrolyte gets into your eyes, rinse them out with clear water and seek medical attention right away. It may result in loss of your eyesight.
5. Do not short the battery cartridge:
 - (1) Do not touch the terminals with any conductive material.
 - (2) Avoid storing battery cartridge in a container with other metal objects such as nails, coins, etc.
 - (3) Do not expose battery cartridge to water or rain.

A battery short can cause a large current flow, overheating, possible burns and even a breakdown.

6. Do not store the tool and battery cartridge in locations where the temperature may reach or exceed 50°C (122°F).
7. Do not incinerate the battery cartridge even if it is severely damaged or is completely worn out. The battery cartridge can explode in a fire.
8. Be careful not to drop or strike battery.
9. Do not use a damaged battery.
10. Follow your local regulations relating to disposal of battery.

SAVE THESE INSTRUCTIONS.

⚠CAUTION: Only use genuine Makita batteries. Use of non-genuine Makita batteries, or batteries that have been altered, may result in the battery bursting causing fires, personal injury and damage. It will also void the Makita warranty for the Makita tool and charger.

Tips for maintaining maximum battery life

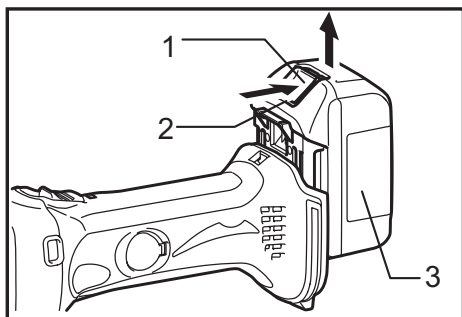
1. Charge the battery cartridge before completely discharged. Always stop tool operation and charge the battery cartridge when you notice less tool power.
2. Never recharge a fully charged battery cartridge. Overcharging shortens the battery service life.
3. Charge the battery cartridge with room temperature at 10°C - 40°C (50°F - 104°F). Let a hot battery cartridge cool down before charging it.
4. Charge the battery cartridge if you do not use it for a long period (more than six months).

FUNCTIONAL DESCRIPTION

⚠ CAUTION:

- Always be sure that the tool is switched off and the battery cartridge is removed before adjusting or checking function on the tool.

Installing or removing battery cartridge



► 1. Button 2. Red indicator 3. Battery cartridge

⚠ CAUTION:

- Always switch off the tool before installing or removing of the battery cartridge.
- **Hold the tool and the battery cartridge firmly when installing or removing battery cartridge.** Failure to hold the tool and the battery cartridge firmly may cause them to slip off your hands and result in damage to the tool and battery cartridge and a personal injury.

To remove the battery cartridge, slide it from the tool while sliding the button on the front of the cartridge. To install the battery cartridge, align the tongue on the battery cartridge with the groove in the housing and slip it into place. Insert it all the way until it locks in place with a little click. If you can see the red indicator on the upper side of the button, it is not locked completely.

⚠ CAUTION:

- Always install the battery cartridge fully until the red indicator cannot be seen. If not, it may accidentally fall out of the tool, causing injury to you or someone around you.
- Do not install the battery cartridge forcibly. If the cartridge does not slide in easily, it is not being inserted correctly.

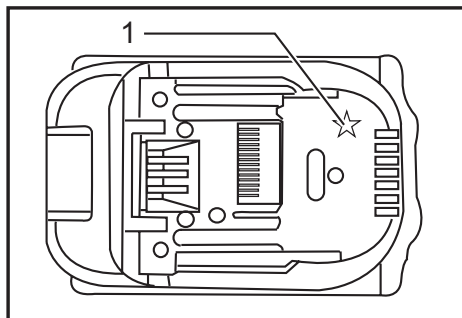
Battery protection system

The tool is equipped with a battery protection system. This system automatically cuts off power to the motor to extend battery life.

The tool will automatically stop during operation if the tool and/or battery are placed under one of the following conditions:

- **Overloaded:**
The tool is operated in a manner that causes it to draw an abnormally high current. In this situation, turn the tool off and stop the application that caused the tool to become overloaded. Then turn the tool on to restart. If the tool does not start, the battery is overheated. In this situation, let the battery cool before turning the tool on again.
- **Low battery voltage:**
The remaining battery capacity is too low and the tool will not operate. In this situation, remove and recharge the battery.

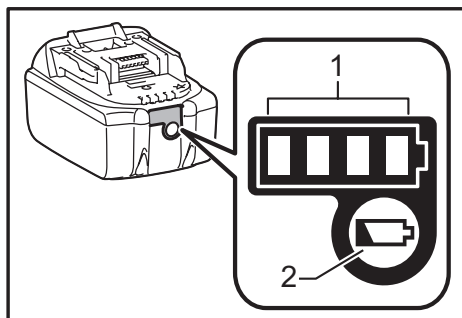
NOTE: The overheat protection works only with a battery cartridge with a star mark.



► 1. Star marking

Indicating the remaining battery capacity

(Only for battery cartridges with "B" at the end of the model number.)



► 1. Indicator lamps 2. CHECK button

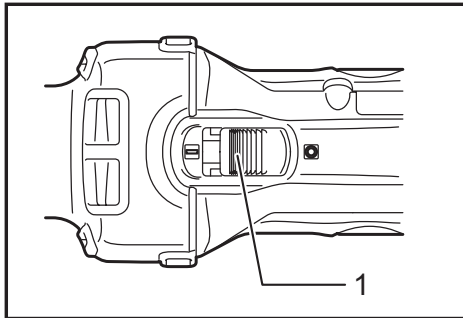
Press the check button on the battery cartridge to indicate the remaining battery capacity. The indicator lamps light up for few seconds.

Indicator lamps			Remaining capacity
Lighted	Off	Blinking	
■	□	◐	75% to 100%
■	■	■	
■	■	□	50% to 75%
■	□	□	25% to 50%
■	□	□	0% to 25%
◐	□	□	Charge the battery.
■	□	□	The battery may have malfunctioned.
□	□	■	

NOTE:

- Depending on the conditions of use and the ambient temperature, the indication may differ slightly from the actual capacity.

Switch action



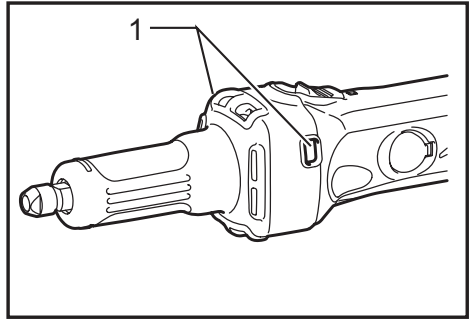
► 1. Slide switch

CAUTION:

- Before installing the battery cartridge into the tool, always check to see that the slide switch actuates properly and returns to the "OFF" position when the rear of the slide switch is depressed.
- Switch can be locked in "ON" position for ease of operator comfort during extended use. Apply caution when locking tool in "ON" position and maintain firm grasp on tool.

To start the tool, slide the slide switch toward the "I (ON)" position. For continuous operation, press the front of the slide switch to lock it. To stop the tool, press the rear of the slide switch, then slide it toward the "O (OFF)" position.

Indication lamp with multi function



► 1. Indication lamp

Indication lamps are located in two positions.

When the battery cartridge is inserted on the tool with the slide switch positioned in the "O (OFF)" position, the indication lamp flickers quickly for approximately one second. If it does not flicker so, the battery cartridge or indication lamp is broken.

— **Overload protection**

- When the tool is overloaded, the indication lamp lights up. When the load on the tool is reduced, the lamp goes out.
- If the tool continues to be overloaded and the indication lamp continues to light up for approximately two seconds, the tool stops. This prevents the motor and its related parts from being damaged.
- In this case, to start the tool again, move the slide switch to the "O (OFF)" position once and then to the "I (ON)" position.

— **Battery cartridge replacing signal**

- When the remaining battery capacity gets low, the indicator lamp lights up during operation signaling that it is time to change the battery.

— **Accidental re-start preventive function**

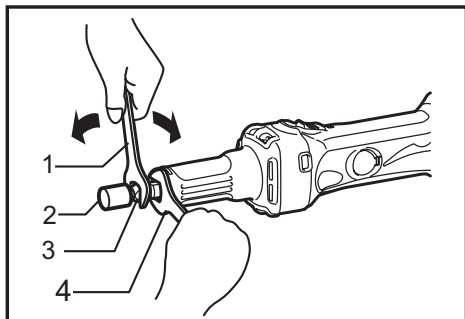
- Even if the battery cartridge is inserted on the tool with the slide switch in the "I (ON)" position, the tool does not start. At this time, the lamp flickers slowly and this shows that the accidental re-start preventive function is at work.
- To start the tool, first slide the slide switch toward the "O (OFF)" position and then slide it toward the "I (ON)" position.

ASSEMBLY

⚠ CAUTION:

- Always be sure that the tool is switched off and the battery cartridge is removed before carrying out any work on the tool.

Installing or removing wheel point

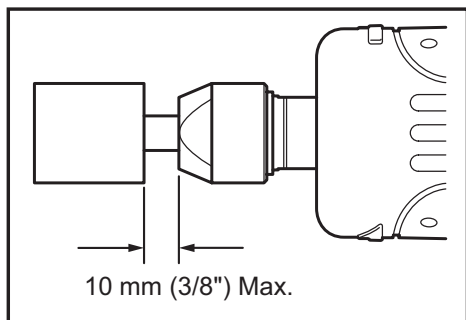


- 1. Wrench 13 2. Wheel point 3. Collet nut
4. Wrench 13

Loosen the collet nut and insert the wheel point into the collet nut. Use one wrench to hold the spindle and the other one to tighten the collet nut securely.

The wheel point should not be mounted more than 10 mm (3/8") from the collet nut. Exceeding this distance could cause vibration or a broken shaft.

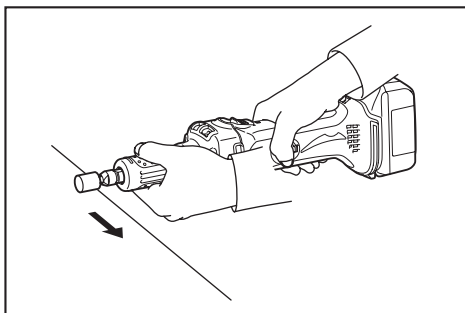
To remove the wheel point, follow the installation procedure in reverse.



⚠ CAUTION:

- A 1/4" collet cone is provided as standard equipment. Use an optional collet cone 1/8" to install a 1/8" shank wheel point.

OPERATION



Turn the tool on without the wheel point making any contact with the workpiece and wait until the wheel point reaches maximum speed. Then apply the wheel point to the workpiece gently. To obtain a good finish, move the tool in the leftward direction slowly.

⚠ CAUTION:

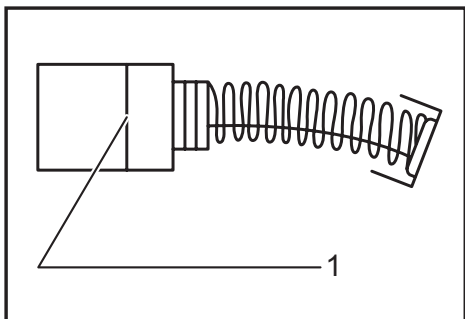
- Apply light pressure on the tool. Excessive pressure on the tool will only cause a poor finish and overloading of the motor.

MAINTENANCE

⚠ CAUTION:

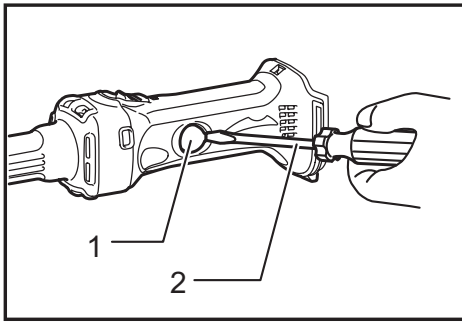
- Always be sure that the tool is switched off and the battery cartridge is removed before attempting to perform inspection or maintenance.
- Never use gasoline, benzine, thinner, alcohol or the like. Discoloration, deformation or cracks may result.

Replacing carbon brushes



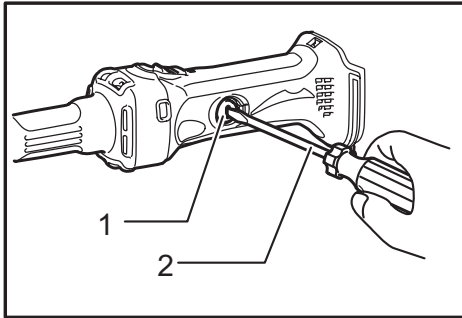
- 1. Limit mark

Remove and check the carbon brushes regularly. Replace when they wear down to the limit mark. Keep the carbon brushes clean and free to slip in the holders. Both carbon brushes should be replaced at the same time. Use only identical carbon brushes.



► 1. Holder cap cover 2. Screwdriver

Insert the top end of slotted bit screwdriver into the notch in the tool and remove the holder cap cover by lifting it up.



► 1. Brush holder cap 2. Screwdriver

Use a screwdriver to remove the brush holder caps. Take out the worn carbon brushes, insert the new ones and secure the brush holder caps. Reinstall the holder cap cover on the tool. To maintain product SAFETY and RELIABILITY, repairs, any other maintenance or adjustment should be performed by Makita Authorized or Factory Service Centers, always using Makita replacement parts.

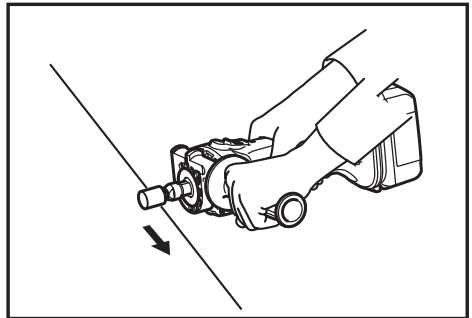
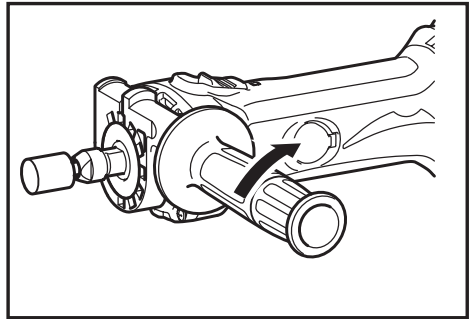
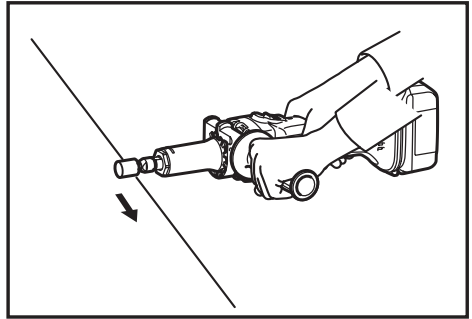
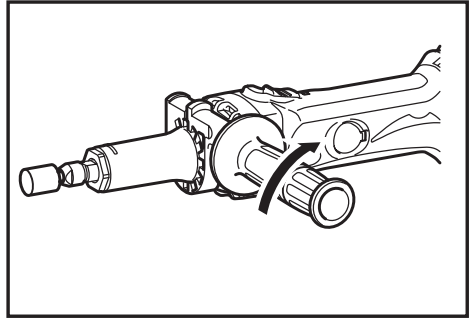
OPTIONAL ACCESSORIES

⚠ CAUTION:

- These accessories or attachments are recommended for use with your Makita tool specified in this manual. The use of any other accessories or attachments might present a risk of injury to persons. Only use accessory or attachment for its stated purpose.

If you need any assistance for more details regarding these accessories, ask your local Makita Service Center.

Side handle (optional accessory)



When using the side handle, remove the rubber protector, insert the side handle on the tool barrel as far as it will go and rotate it to the desired angle. Then tighten the handle firmly by turning clockwise.

⚠ CAUTION:

- When using the tool without handle, always install the rubber protector on the tool.
- When installing the rubber protector, always push it onto the tool so that the top round recessed shape of the rubber is positioned near the switch position.

- Wheel points
- Collet cone (1/4", 1/8")
- Collet nut
- Wrench 13
- Side handle set
- Makita genuine battery and charger

NOTE:

- Some items in the list may be included in the tool package as standard accessories. They may differ from country to country.

MAKITA LIMITED WARRANTY

Please refer to the annexed warranty sheet for the most current warranty terms applicable to this product. If annexed warranty sheet is not available, refer to the warranty details set forth at below website for your respective country.

United States of America: www.makitatools.com

Canada: www.makita.ca

Other countries: www.makita.com

SPÉCIFICATIONS

Modèle		DGD800		DGD801	
Capacité max. du mandrin		6,35 mm (1/4")			
Meule sur tige	Diamètre max. meule	36 mm (1-7/16")			
	Diamètre max. mandrin (tige)	6,35 mm (1/4")			
	Longueur max. mandrin (tige)	46 mm (1-13/16")			
Vitesse nominale (RPM)		26 000 /min			
Longueur totale		402 mm (15-3/4")		307 mm (12-1/8")	
Poids net		1,7 kg (3,8 lbs)	2,0 kg (4,4 lbs)	1,4 kg (3,1 lbs)	1,7 kg (3,8 lbs)
Tension nominale		C.C. 18 V			
Batterie standard		BL1815N / BL1820B	BL1830 / BL1830B / BL1840B / BL1850B / BL1860B	BL1815N / BL1820B	BL1830 / BL1830B / BL1840B / BL1850B / BL1860B

- Étant donné l'évolution constante de notre programme de recherche et de développement, les spécifications contenues dans ce manuel sont sujettes à modification sans préavis.
- Les caractéristiques techniques et la batterie peuvent varier suivant les pays.
- Poids, batterie comprise, conforme à la procédure EPTA de 01/2003

Consignes de sécurité générales pour outils électriques

⚠ MISE EN GARDE Veuillez lire toutes les mises en garde de sécurité et toutes les instructions. L'ignorance des mises en garde et des instructions comporte un risque de choc électrique, d'incendie et/ou de blessure grave.

Conservez toutes les mises en garde et instructions pour référence future.

Le terme « outil électrique » qui figure dans les avertissements fait référence à un outil électrique branché sur une prise de courant (par un cordon d'alimentation) ou alimenté par batterie (sans fil).

Sécurité de la zone de travail

1. **Maintenez la zone de travail propre et bien éclairée.** Les zones de travail encombrées ou sombres ouvrent grande la porte aux accidents.
2. **N'utilisez pas les outils électriques dans les atmosphères explosives, par exemple en présence de liquides, gaz ou poussières inflammables.** Les outils électriques produisent des étincelles au contact desquelles la poussière ou les vapeurs peuvent s'enflammer.
3. **Assurez-vous qu'aucun enfant ou curieux ne s'approche pendant que vous utilisez un outil électrique.** Vous risquez de perdre la maîtrise de l'outil si votre attention est détournée.

Sécurité en matière d'électricité

4. **Les fiches d'outil électrique sont conçues pour s'adapter parfaitement aux prises de courant. Ne modifiez jamais la fiche de quelque façon que ce soit. N'utilisez aucun adaptateur de fiche sur les outils électriques avec mise à**

la terre. En ne modifiant pas les fiches et en les insérant dans des prises de courant pour lesquelles elles ont été conçues vous réduirez les risques de choc électrique.

5. **Évitez tout contact corporel avec les surfaces mises à la terre, telles que les tuyaux, radiateurs, cuisinières et réfrigérateurs.** Le risque de choc électrique est plus élevé si votre corps se trouve mis à la terre.
6. **N'exposez pas les outils électriques à la pluie ou à l'eau.** La présence d'eau dans un outil électrique augmente le risque de choc électrique.
7. **Ne maltraitez pas le cordon. N'utilisez jamais le cordon pour transporter, tirer ou débrancher l'outil électrique. Maintenez le cordon à l'écart des sources de chaleur, de l'huile, des objets à bords tranchants et des pièces en mouvement.** Le risque de choc électrique est plus élevé lorsque les cordons sont endommagés ou enchevêtrés.
8. **Lorsque vous utilisez un outil électrique à l'extérieur, utilisez un cordon prolongateur prévu à cette fin.** Les risques de choc électrique sont moindres lorsqu'un cordon conçu pour l'extérieur est utilisé.
9. **Si vous devez utiliser un outil électrique dans un endroit humide, utilisez une source d'alimentation protégée par un disjoncteur de fuite à la terre.** L'utilisation d'un disjoncteur de fuite à la terre réduit le risque de choc électrique.

Sécurité personnelle

10. **Restez alerte, attentif à vos mouvements et faites preuve de bon sens lorsque vous utilisez un outil électrique. Évitez d'utiliser un outil électrique si vous êtes fatigué ou si vous avez pris une drogue, de l'alcool ou un médicament.** Un moment d'inattention pendant l'utilisation d'un outil électrique peut entraîner une grave blessure.

11. **Portez des dispositifs de protection personnelle. Portez toujours un protecteur pour la vue.** Les risques de blessure seront moins élevés si vous utilisez des dispositifs de protection tels qu'un masque antipoussières, des chaussures à semelle antidérapante, une coiffure résistante ou une protection d'oreilles.
12. **Évitez les démarrages accidentels. Assurez-vous que l'interrupteur soit en position d'arrêt avant de brancher l'outil à la prise électrique et/ou au bloc-piles, avant de prendre ou de transporter l'outil.** Vous ouvrez la porte aux accidents si vous transportez les outils électriques avec le doigt sur l'interrupteur ou si vous les branchez alors que l'interrupteur est en position de marche.
13. **Retirez toute clé de réglage ou de serrage avant de mettre l'outil sous tension.** Toute clé laissée en place sur une pièce rotative de l'outil électrique peut entraîner une blessure.
14. **Maintenez une bonne position. Assurez-vous d'une bonne prise au sol et d'une bonne position d'équilibre en tout temps.** Cela vous permettra d'avoir une meilleure maîtrise de l'outil dans les situations imprévues.
15. **Portez des vêtements adéquats. Ne portez ni vêtements amples ni bijoux. Vous devez maintenir cheveux, vêtements et gants à l'écart des pièces en mouvement.** Les pièces en mouvement peuvent happer les vêtements amples, les bijoux et les cheveux longs.
16. **Si des accessoires sont fournis pour raccorder un appareil d'aspiration et de collecte de la poussière, assurez-vous qu'ils sont correctement raccordés et qu'ils sont utilisés de manière adéquate.** L'utilisation d'un appareil d'aspiration permet de réduire les risques liés à la présence de poussière dans l'air.

Utilisation et entretien des outils électriques

17. **Ne forcez pas l'outil électrique. Utilisez l'outil électrique adéquat suivant le type de travail à effectuer.** Si vous utilisez l'outil électrique adéquat et respectez le régime pour lequel il a été conçu, il effectuera un travail de meilleure qualité et de façon plus sécuritaire.
18. **N'utilisez pas l'outil électrique s'il n'est pas possible de mettre sa gâchette en position de marche et d'arrêt.** Un outil électrique dont l'interrupteur est défectueux représente un danger et doit être réparé.
19. **Débranchez la fiche de la source d'alimentation et/ou retirez le bloc-piles de l'outil électrique avant d'effectuer tout réglage, de changer un accessoire ou de ranger l'outil électrique.** De telles mesures préventives réduisent les risques de démarrage accidentel de l'outil électrique.
20. **Après l'utilisation d'un outil électrique, rangez-le hors de portée des enfants et ne laissez aucune personne l'utiliser si elle n'est pas familiarisée avec l'outil électrique ou les présentes instructions d'utilisation.** Les outils électriques représentent un danger entre les mains de personnes qui n'en connaissent pas le mode d'utilisation.

21. **Veillez à l'entretien des outils électriques. Assurez-vous que les pièces mobiles ne sont pas désalignées ou coincées, qu'aucune pièce n'est cassée et que l'outil électrique n'a subi aucun dommage affectant son bon fonctionnement. Le cas échéant, faites réparer l'outil électrique avant de l'utiliser.** De nombreux accidents sont causés par des outils électriques mal entretenus.
22. **Maintenez les outils tranchants bien aiguisés et propres.** Un outil tranchant dont l'entretien est effectué correctement et dont les bords sont bien aiguisés risquera moins de se coincer et sera plus facile à maîtriser.
23. **Utilisez l'outil électrique, ses accessoires, ses embouts, etc., en respectant les présentes instructions, en tenant compte des conditions de travail et du type de travail à effectuer.** L'utilisation d'un outil électrique à des fins autres que celles prévues peut entraîner une situation dangereuse.

Utilisation et entretien des outils alimentés par batterie

24. **Pour recharger, utilisez uniquement le chargeur spécifié par le fabricant.** L'utilisation d'un chargeur conçu pour un type donné de bloc-piles comporte un risque d'incendie lorsqu'il est utilisé avec un autre type de bloc-piles.
25. **N'utilisez un outil électrique qu'avec le bloc-piles conçu spécifiquement pour cet outil.** Il y a un risque de blessure ou d'incendie si un autre bloc-piles est utilisé.
26. **Lorsque vous n'utilisez pas le bloc-piles, rangez-le à l'écart des objets métalliques tels que trombones, pièces de monnaie, clés, clous, vis ou autres petits objets métalliques qui risquent d'établir une connexion entre les bornes.** La mise en court-circuit des bornes de batterie peut causer des brûlures ou un incendie.
27. **Dans des conditions d'utilisation inadéquates de la batterie, il peut y avoir fuite d'électrolyte; évitez tout contact avec ce liquide. En cas de contact accidentel, rincez avec beaucoup d'eau. Si le liquide pénètre dans vos yeux, il faut aussi consulter un médecin.** L'électrolyte qui s'échappe de la batterie peut causer des irritations ou des brûlures.

Réparation

28. **Faites réparer votre outil électrique par un réparateur qualifié qui utilise des pièces de rechange identiques aux pièces d'origine.** Le maintien de la sûreté de l'outil électrique sera ainsi assuré.
29. **Suivez les instructions de lubrification et de changement des accessoires.**
30. **Maintenez les poignées de l'outil sèches, propres et exemptes d'huile ou de graisse.**

CONSIGNES DE SÉCURITÉ POUR MEULEUSE DROITE SANS FIL

Consignes de sécurité générales pour le meulage :

- Cet outil électrique est conçu pour être utilisé comme meuleuse. Veuillez lire l'ensemble des consignes de sécurité, instructions, illustrations et spécifications fournies pour cet outil.** Il existe un risque de décharge électrique, d'incendie et/ou de blessure grave si toutes les instructions énumérées ci-dessous ne sont pas respectées.
- Il n'est pas recommandé d'utiliser cet outil électrique pour des opérations comme le ponçage, le brossage métallique, le polissage ou le découpage.** Les opérations pour lesquelles l'outil n'a pas été conçu peuvent générer une situation dangereuse et provoquer des blessures.
- N'utilisez pas d'accessoire n'étant pas conçu et recommandé spécifiquement par le fabricant de l'outil.** Même si vous pouvez fixer l'accessoire à l'outil, cela ne garantit pas pour autant un fonctionnement sécuritaire.
- La vitesse nominale de l'accessoire doit être au moins égale à la vitesse maximale marquée sur l'outil.** Les accessoires fonctionnant à une vitesse supérieure à leur vitesse nominale peuvent se briser et voler en morceau.
- Le diamètre extérieur et l'épaisseur de votre accessoire doivent respecter la capacité nominale de votre outil électrique.** Il est impossible de contrôler adéquatement les accessoires d'une dimension inappropriée.
- La dimension de l'alésage des accessoires doit s'ajuster correctement au mandrin de l'outil électrique.** Les accessoires ne correspondant pas à la fixation de l'outil fonctionneront en déséquilibre, ils vibreront de manière excessive et cela pourrait entraîner une perte de contrôle.
- Les accessoires montés sur un mandrin doivent être complètement insérés dans le mandrin ou le porte-outil.** Si le mandrin n'est pas suffisamment bloqué et/ou si la meule dépasse trop, l'accessoire monté peut se desserrer et être éjecté si la vitesse est élevée.
- N'utilisez pas un accessoire s'il est endommagé. Avant chaque utilisation, vérifiez que les accessoires comme les meules abrasives ne sont pas ébréchés ou craquelés. Si un outil électrique ou un accessoire subit une chute, vérifiez s'il n'a pas été endommagé ou installez un nouvel accessoire. Après avoir inspecté et installé un accessoire, faites en sorte que tout le monde (vous-même, les curieux) se trouve hors de portée de l'accessoire rotatif. Ensuite, faites fonctionner l'outil à sa vitesse à vide maximale durant une minute. Généralement, si un accessoire est endommagé il se brisera durant ce test.**
- Portez un équipement de protection individuelle. Selon l'application, utilisez un écran facial ou des lunettes de sécurité. Lorsque la situation le nécessite, portez un masque anti-poussière, un appareil antibruit, des gants et un tablier capable d'arrêter les petits fragments abrasifs ou ceux de l'ouvrage. L'appareil** de protection des yeux doit être en mesure d'arrêter les débris projetés par toutes les opérations. Le masque anti-poussière ou le respirateur doit être capable de filtrer les particules générées par l'opération que vous effectuez. Une exposition prolongée à un bruit de forte intensité peut provoquer une perte de l'ouïe.
- Maintenez les curieux à une distance sécuritaire de la zone de travail. Toute personne entrant dans la zone de travail doit porter un équipement de protection individuelle.** Il est possible que des fragments de l'ouvrage ou d'un accessoire brisé soient propulsés et provoquent des blessures hors de la zone immédiate de fonctionnement.
- Tenez l'outil électrique par ses surfaces de prise isolées, pendant toute utilisation où l'accessoire de coupe pourrait venir en contact avec un câblage dissimulé.** En cas de contact de l'accessoire de coupe avec un fil sous tension, les pièces métalliques à découvert de l'outil électrique pourraient se mettre sous tension et risqueraient de transmettre une décharge électrique à l'utilisateur.
- Tenez toujours fermement l'outil en main au démarrage.** La réaction de couple du moteur lorsqu'il accélère peut provoquer une torsion de l'outil.
- Utilisez les dispositifs de serrage pour soutenir l'ouvrage chaque fois que cela est possible. Ne tenez jamais une petite pièce dans une main et l'outil dans l'autre pendant l'utilisation.** Serrer une petite pièce vous permet d'utiliser votre/vos main(s) pour contrôler l'outil. Les matériaux arrondis tels que les goupilles, les tuyaux ou les tubes ont tendance à s'enrouler lorsqu'ils sont découpés et cela peut provoquer la torsion ou l'éjection de l'embout.
- Ne reposez jamais l'outil tant que l'accessoire n'est pas complètement arrêté.** L'accessoire rotatif pourrait s'agripper à la surface et rendre l'outil incontrôlable.
- Après avoir changé les embouts ou effectué des réglages, assurez-vous que l'écrou de mandrin, le porte-outil ou tout autre dispositif de réglage sont serrés fermement.** Des dispositifs de réglage desserrés peuvent se déplacer de manière imprévue provoquant une perte de contrôle, les composants rotatifs desserrés seront éjectés violemment.
- Ne faites pas fonctionner l'outil lorsque vous le transportez.** Un contact accidentel avec l'accessoire rotatif pourrait accrocher vos vêtements et entraîner l'accessoire vers votre corps.
- Nettoyez régulièrement les fentes d'aération.** Le ventilateur du moteur attirera la poussière à l'intérieur du boîtier et une accumulation excessive de métal fritté pourrait provoquer des dangers électriques.
- N'utilisez pas l'outil électrique près de matériaux inflammables.** Les étincelles qui jaillissent de l'outil risqueraient de faire prendre en feu ces matériaux.
- N'utilisez pas d'accessoires nécessitant de réfrigérants fluides.** L'utilisation d'eau ou d'autre réfrigérants fluides pourrait provoquer l'électrocution ou une décharge électrique.

Recul et avertissements connexes

Le recul est une réaction brusque qui se produit lorsqu'un accessoire en rotation est accroché ou pincé. Le pincement ou l'accrochage provoque un décrochage rapide de l'accessoire en rotation qui force l'outil électrique dans la direction opposée de rotation de l'accessoire.

Par exemple, si une meule abrasive est accrochée ou pincée par l'ouvrage, le bord de la meule qui entre dans le point de pincement peut entrer dans la surface du matériau et faire détacher la meule. La meule peut s'éjecter en direction de l'utilisateur ou au loin, selon la direction du mouvement de la meule au point de pincement. Les meules abrasives peuvent aussi se casser dans de telles conditions.

Le recul est le résultat d'une utilisation inadéquate de l'outil électrique et/ou de procédures ou conditions d'utilisation incorrectes; on peut l'éviter en prenant des précautions adéquates, indiquées ci-dessous.

a) **Tenez fermement l'outil électrique et placez votre corps et vos bras de manière à pouvoir résister à la force d'un recul éventuel.**

L'utilisateur est capable de maîtriser un recul s'il a pris les précautions adéquates.

b) **Soyez particulièrement prudent lorsque vous travaillez sur des coins, des bords pointus, etc. Évitez que l'accessoire ne rebondisse et ne s'accroche.** Les coins, les bords pointus ou les rebondissements ont tendance à générer un accrochage de l'accessoire rotatif et à provoquer une perte de contrôle ou un recul.

c) **N'installez pas de lame de scie à denture.** De telles lames provoquent fréquemment des reculs et des pertes de contrôle.

d) **Insérez toujours l'embout dans le matériau dans la même direction que le bord du matériau (qui est la même direction que les copeaux rejetés).** L'insertion de l'outil dans la mauvaise direction peut provoquer le détachement de l'embout et placer l'outil dans la direction de cette insertion.

Consignes de sécurité particulières pour le meulage :

a) **Utilisez seulement les types de meules recommandées pour votre outil électrique et seulement pour les applications recommandées.**

Consignes de sécurité supplémentaire :

20. **L'outil est conçu pour être utilisé avec des points de meule abrasive renforcés (meules à aiguiser) montés de façon permanente sur un mandrin lisse (tiges).**

21. **Assurez-vous que la meule n'entre pas en contact avec la pièce avant de mettre l'outil sous tension.**

22. **Avant d'utiliser l'outil sur la pièce elle-même, laissez-le tourner un instant. Soyez attentif à toute vibration ou sautellement pouvant indiquer que la meule n'est pas bien installée ou qu'elle est mal équilibrée.**

23. **Utilisez la face spécifiée de la meule pour meuler.**

24. **Prenez garde aux étincelles qui jaillissent. Tenez l'outil de sorte que les étincelles ne jaillissent pas vers vous, vers une personne présente ou vers un matériau inflammable.**

25. **N'abandonnez pas l'outil alors qu'il tourne. Ne faites fonctionner l'outil qu'une fois que vous l'avez bien en main.**

26. **Ne touchez pas la pièce immédiatement après l'utilisation ; elle peut être très chaude et brûler votre peau.**

27. **Lisez les instructions du fabricant sur le montage correct et l'utilisation des meules. Manipulez et conservez les meules avec précaution.**

28. **Vérifiez que la pièce est correctement soutenue.**

29. **Si le lieu de travail est extrêmement chaud et humide, ou très pollué par de la poussière conductrice, utilisez un disjoncteur de court-circuit (30 mA) afin d'assurer que l'opérateur est protégé adéquatement.**

30. **N'utilisez pas l'outil sur des matériaux contenant de l'amiante.**

31. **Veillez à garder toujours une bonne assise. Assurez-vous que personne ne se trouve au-dessous de vous quand vous utilisez l'outil en situation élevée.**

CONSERVEZ CE MODE D'EMPLOI.

▲ MISE EN GARDE : NE VOUS LAISSEZ PAS tromper (au fil d'une utilisation répétée) par un sentiment d'aisance ou de familiarité avec le produit en négligeant les consignes de sécurité qui accompagnent le produit. L'utilisation non sécuritaire ou incorrecte de cet outil comporte un risque de blessure grave.

Symboles

Les symboles utilisés pour l'outil sont indiqués ci-dessous.

v	volts
— — —	courant continu
n	vitesse nominale
.../min r/min	tours ou alternances par minute

CONSIGNES DE SÉCURITÉ IMPORTANTES

POUR LA BATTERIE

1. **Avant d'utiliser la batterie, lisez toutes les instructions et précautions relatives (1) au chargeur de batterie, (2) à la batterie, et (3) à l'outil utilisant la batterie.**
2. **Ne démontez pas la batterie.**

3. Cessez immédiatement l'utilisation si le temps de fonctionnement devient excessivement court. Il y a risque de surchauffe, de brûlures, voire d'explosion.
4. Si l'électrolyte pénètre dans vos yeux, rincez-les à l'eau claire et consultez immédiatement un médecin. Il y a risque de perte de la vue.
5. **Ne court-circuitez pas la batterie :**
 - (1) Ne touchez les bornes avec aucun matériau conducteur.
 - (2) Évitez de ranger la batterie dans un conteneur avec d'autres objets métalliques, par exemple des clous, des pièces de monnaie, etc.
 - (3) Évitez d'exposer la batterie à l'eau ou à la pluie.

Un court-circuit de la batterie pourrait provoquer un fort courant, une surchauffe, parfois des brûlures et même une panne.

6. Ne rangez pas l'outil ou la batterie dans des endroits où la température risque d'atteindre ou de dépasser 50°C (122°F).
7. Ne jetez pas la batterie au feu même si elle est sérieusement endommagée ou complètement épuisée. La batterie peut exploser au contact du feu.
8. Prenez garde d'échapper ou de heurter la batterie.
9. N'utilisez pas une batterie si elle est endommagée.
10. Suivez la réglementation locale concernant la mise au rebut de la batterie.

CONSERVEZ CE MODE D'EMPLOI.

ATTENTION : Utilisez uniquement des batteries Makita d'origine.

L'utilisation de batteries autres que les batteries d'origine Makita ou de batteries qui ont été modifiées peut entraîner l'explosion de la batterie et provoquer des incendies, blessures et autres dommages. Cela annulerait également la garantie de Makita s'appliquant à l'outil Makita et au chargeur.

Conseils pour obtenir la durée de service maximale de la batterie

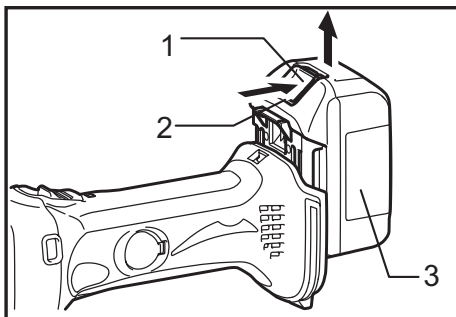
1. Rechargez la batterie avant qu'elle ne soit complètement déchargée. Arrêtez toujours l'outil et rechargez la batterie quand vous remarquez que la puissance de l'outil diminue.
2. Ne rechargez jamais une batterie complètement chargée. La surcharge réduit la durée de service de la batterie.
3. Rechargez la batterie à une température ambiante comprise entre 10°C et 40°C (50°F - 104°F). Si la batterie est chaude, laissez-la refroidir avant de la recharger.
4. Rechargez la batterie si vous ne l'utilisez pas pendant une période prolongée (plus de six mois).

DESCRIPTION DU FONCTIONNEMENT

ATTENTION :

- Assurez-vous toujours que l'outil est hors tension et que sa batterie est retirée avant de l'ajuster ou de vérifier son fonctionnement.

Installation ou retrait de la batterie



► 1. Bouton 2. Indicateur rouge 3. Batterie

ATTENTION :

- Mettez toujours l'appareil hors tension avant d'installer ou de retirer la batterie.
- **Tenez fermement l'outil et la batterie lors de l'installation ou du retrait de cette dernière.** Sinon, l'outil et la batterie pourraient vous glisser des mains, ce qui risque d'endommager l'outil et la batterie, ou encore de provoquer des blessures.

Pour retirer la batterie, faites-la glisser de l'outil tout en faisant glisser le bouton se trouvant à l'avant. Pour installer la batterie, alignez sa languette sur la rainure pratiquée dans le boîtier, et glissez la batterie en place. Insérez-la à fond jusqu'à ce que vous entendiez un clic. Si vous pouvez voir l'indicateur rouge situé sur le dessus du bouton, la batterie n'est pas complètement verrouillée.

ATTENTION :

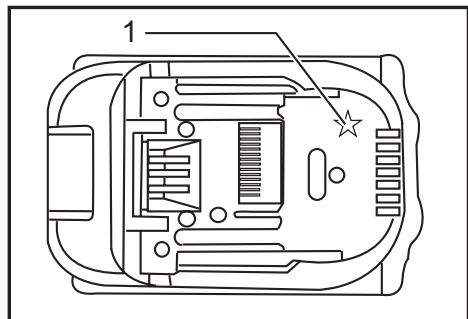
- Installez toujours la batterie à fond jusqu'à ce que vous ne puissiez plus voir l'indicateur rouge. Dans le cas contraire, elle pourrait tomber de l'outil et entraîner des blessures.
- Ne forcez pas sur la batterie pour l'installer. Si la batterie ne glisse pas facilement, c'est qu'elle n'est pas insérée correctement.

Système de protection de la batterie

L'outil est équipé d'un système de protection de la batterie. Ce système coupe automatiquement l'alimentation du moteur pour augmenter la durée de vie de la batterie. L'outil s'arrête automatiquement pendant l'utilisation lorsque l'outil et/ou la batterie sont dans l'une des situations suivantes :

- **En surcharge :**
L'outil est utilisé d'une manière entraînant une consommation anormale de courant. Si une telle situation se présente, mettez l'outil hors tension et cessez l'application ayant provoqué la surcharge de l'outil. Mettez ensuite l'outil en position de marche pour le redémarrer.
Si l'outil ne démarre pas, il y a surchauffe de la batterie. Si tel est le cas, laissez la batterie refroidir avant de remettre l'outil en marche.
- **Tension de la batterie faible :**
La capacité restante de la batterie est trop faible pour que l'outil puisse fonctionner. Dans cette situation, retirez et rechargez la batterie.

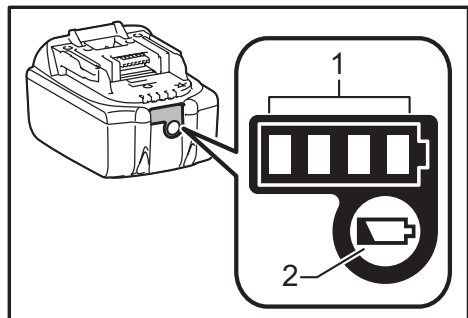
NOTE : La protection de surchauffe fonctionne uniquement avec les batteries comportant un repère en forme d'étoile.



▶ 1. Étoile

Affiche la capacité restante de la batterie

(Uniquement pour les batteries dont le numéro de modèle se termine par « B ».)



▶ 1. Témoins 2. Bouton CHECK

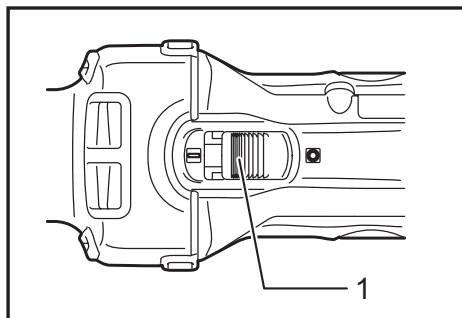
Appuyez sur le bouton de vérification sur la batterie pour afficher la capacité résiduelle de la batterie. Les témoins s'allument pendant quelques secondes.

Témoins			Capacité résiduelle
Allumé	ARRÊT	Clignotement	
■ ■ ■ ■			75 % à 100 %
■ ■ ■ □			50 % à 75 %
■ ■ □ □			25 % à 50 %
■ □ □ □			0 % à 25 %
◼ □ □ □			Chargez la batterie.
■ ■ □ □	↑ ↓	■ □ □ □	La batterie peut avoir présenté un défaut de fonctionnement.

NOTE :

- Selon les conditions d'utilisation et la température ambiante, il est possible que la capacité relevée soit légèrement différente par rapport à la capacité réelle.

Interrupteur



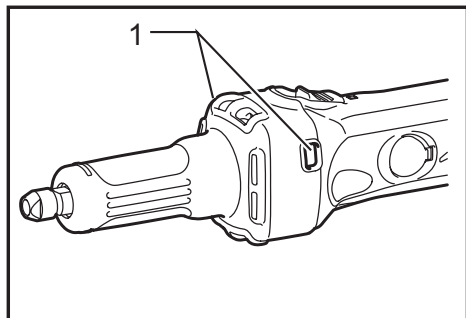
▶ 1. Interrupteur à glissière

ATTENTION :

- Avant d'installer la batterie dans l'outil, vérifiez toujours que l'interrupteur à glissière fonctionne correctement et qu'il revient en position "OFF" quand vous en relâchez l'arrière.
- Pour rendre le travail de l'utilisateur plus confortable lors d'une utilisation prolongée, l'interrupteur peut être verrouillé en position de marche. Soyez prudent lorsque vous verrouillez l'outil en position de marche, et maintenez une poigne solide sur l'outil.

Pour mettre l'outil en marche, faites glisser l'interrupteur à glissière vers la position d'"I (ON)". Pour une utilisation continue, appuyez sur la partie avant de l'interrupteur à glissière pour le verrouiller.
Pour arrêter l'outil, appuyez sur la partie arrière de l'interrupteur à glissière, puis faites-le glisser vers la position d'"O (OFF)".

Témoïn d'indication à fonctions multiples



► 1. Voyant lumineux

Les témoins d'indication se trouvent en deux positions. Lorsque la batterie est insérée dans l'outil et que l'interrupteur à glissière est positionné sur "O (OFF)", le témoin d'indication clignote rapidement pendant environ une seconde. S'il ne clignote pas, celui-ci ou la batterie est hors service.

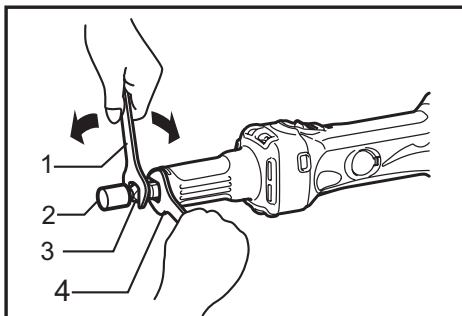
- **Dispositif de protection contre la surcharge**
 - Lorsque l'outil est soumis à une surcharge, le témoin d'indication s'allume. Le témoin s'éteint lorsque la charge diminue.
 - Si l'outil demeure soumis à une surcharge et que le témoin d'indication demeure allumé pendant environ deux secondes, l'outil s'arrête. Cela permet d'éviter que le moteur et les pièces qui lui sont liées ne subissent des dommages.
 - Le cas échéant, pour redémarrer l'outil, déplacez l'interrupteur à glissière sur la position "O" (arrêt) une fois pour ramenez-le sur la position "I" (marche).
- **Signal de remplacement de la batterie**
 - Lorsque l'autonomie restante de la batterie devient faible, le témoin d'indication s'allume pendant le fonctionnement indiquant qu'il est temps de changer la batterie.
- **Fonction de prévention du redémarrage accidentel**
 - L'outil ne démarre pas même si la batterie y est insérée et que l'interrupteur à glissière se trouve en position "I" (marche). Le témoin clignote alors lentement pour indiquer que la fonction de prévention du redémarrage accidentel est activée.
 - Pour mettre l'outil en marche, glissez d'abord l'interrupteur à glissière vers la position "O" (arrêt) puis glissez-le vers la position "I" (marche).

ASSEMBLAGE

⚠ ATTENTION :

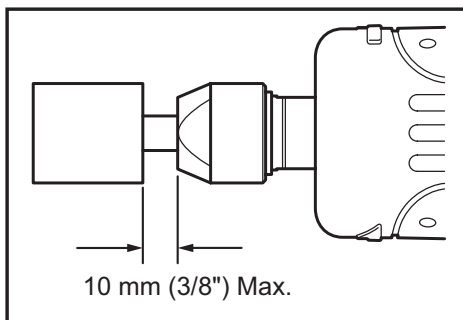
- Assurez-vous toujours que l'outil est hors tension et que sa batterie est retirée avant d'effectuer tout travail dessus.

Installation ou retrait de la meule sur tige



► 1. Clé 13 2. Meule sur tige 3. Ecrou à collet 4. Clé 13

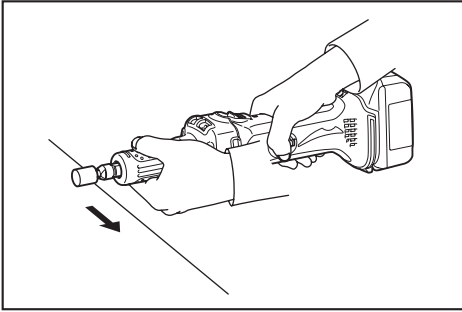
Desserrez l'écrou de mandrin et insérez-y la meule sur tige. Utilisez l'une des clés pour immobiliser l'arbre et l'autre pour serrer fermement l'écrou de mandrin. La meule sur tige ne doit pas être montée à plus de 10 mm (3/8") de l'écrou de mandrin. Une trop grande distance peut entraîner des vibrations ou la cassure de l'arbre. Pour retirer la meule sur tige, suivez la procédure d'installation en sens inverse.



⚠ ATTENTION :

- Un cône de mandrin 1/4" est fourni en équipement standard. Utilisez un cône de mandrin 1/8" en option pour installer une meule sur tige à arbre 1/8".

UTILISATION



Allumez l'outil sans que la meule sur tige ne soit en contact avec la pièce et attendez que celle-ci atteigne sa vitesse maximale. Puis appliquez délicatement la meule sur tige sur la pièce. Pour obtenir une bonne finition, déplacez l'outil vers la gauche doucement.

⚠ ATTENTION :

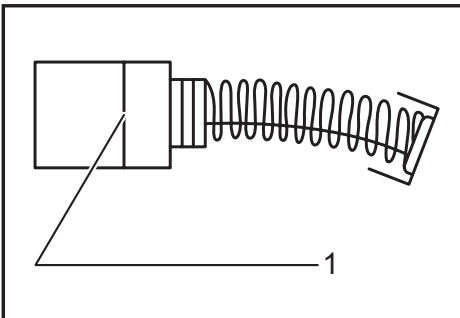
- N'appliquez qu'une légère pression sur l'outil. Une pression trop grande sur l'outil résulterait en une piètre finition et entraînerait une surcharge du moteur.

ENTRETIEN

⚠ ATTENTION :

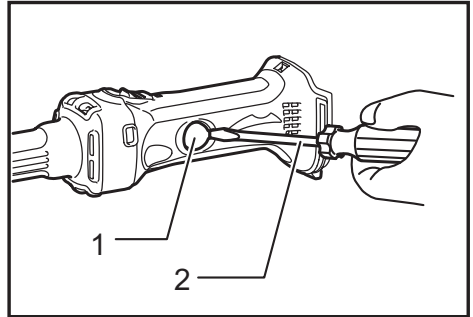
- Assurez-vous toujours que l'outil est hors tension et que la batterie est retirée avant d'y effectuer tout travail d'inspection ou d'entretien.
- N'utilisez jamais d'essence, de benzine, de solvant, d'alcool ou d'autres produits similaires. Une décoloration, une déformation, ou la formation de fissures peuvent en découler.

Remplacement des charbons



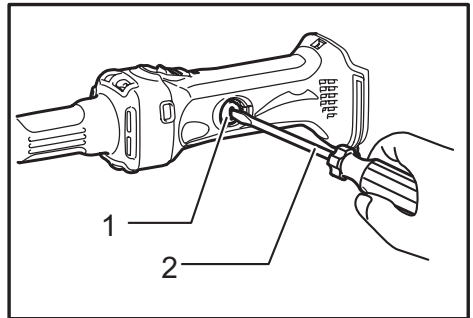
► 1. Trait de limite d'usure

Retirez et vérifiez régulièrement les charbons. Remplacez-les lorsqu'ils sont usés jusqu'au trait de limite d'usure. Maintenez les charbons propres et en état de glisser aisément dans les porte-charbon. Les deux charbons doivent être remplacés en même temps. N'utilisez que des charbons identiques.



► 1. Couvercle de porte-charbon 2. Tournevis

Insérez l'extrémité du tournevis à bout fendu dans l'entaille de l'outil et retirez le couvercle de porte-charbon en le soulevant.



► 1. Bouchon de porte-charbon 2. Tournevis

Utilisez un tournevis pour retirer les bouchons de porte-charbon. Enlevez les charbons usés, insérez-en de nouveaux et revissez solidement les bouchons de porte-charbon.

Remettez le couvercle de porte-charbon en place sur l'outil.

Pour maintenir la SÉCURITÉ et la FIABILITÉ du produit, les réparations, tout autre travail d'entretien ou de réglage doivent être effectués dans un centre de service Makita agréé ou un centre de service de l'usine Makita, exclusivement avec des pièces de rechange Makita.

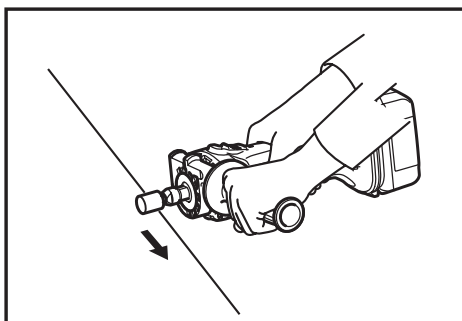
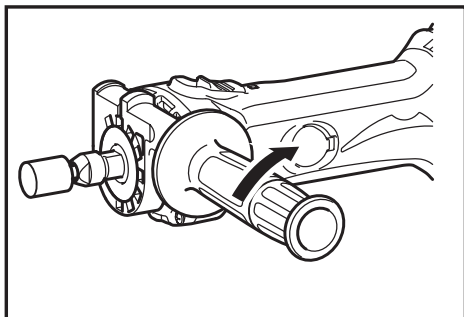
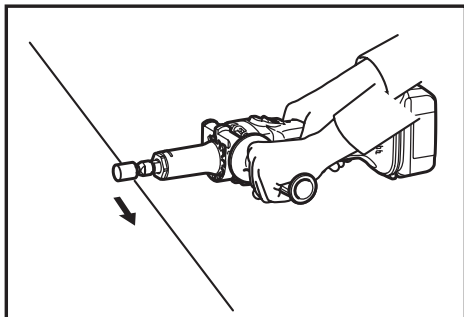
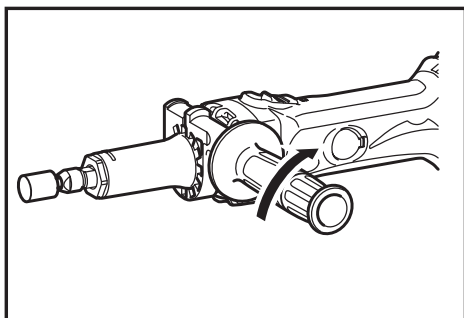
ACCESSOIRES EN OPTION

⚠ ATTENTION :

- Ces accessoires ou pièces complémentaires sont recommandés pour l'utilisation avec l'outil Makita spécifié dans ce mode d'emploi. L'utilisation de tout autre accessoire ou pièce complémentaire peut comporter un risque de blessure. N'utilisez les accessoires ou pièces qu'aux fins auxquelles ils ont été conçus.

Si vous désirez obtenir plus de détails concernant ces accessoires, veuillez contacter le centre de service après-vente Makita le plus près.

Poignée latérale (accessoire optionnel)



Pour utiliser la poignée latérale, retirez le protecteur de caoutchouc, insérez la poignée latérale à fond dans le barillet de l'outil, et tournez-la jusqu'à l'angle désiré. Serrez ensuite la poignée fermement en la tournant dans le sens des aiguilles d'une montre.

⚠ ATTENTION :

- Pour utiliser l'outil sans la poignée, installez toujours le protecteur de caoutchouc sur l'outil.
- Lorsque vous installez le protecteur de caoutchouc, poussez-le toujours sur l'outil de manière à ce que la partie arrondie et en retrait du caoutchouc se trouve à proximité de l'interrupteur.

- Meules sur tige
- Cône de mandrin (1/4", 1/8")
- Écrou de mandrin
- Clé 13
- Ensemble de poignée latérale
- Chargeur et batterie authentiques Makita

NOTE :

- Certains éléments de la liste peuvent être inclus avec l'outil comme accessoires standard. Ils peuvent varier suivant les pays.

GARANTIE LIMITÉE MAKITA

Pour les conditions de garantie en vigueur qui s'appliquent à ce produit, veuillez vous reporter à la feuille de garantie en annexe. Si la feuille de garantie en annexe n'est pas disponible, reportez-vous aux détails de la garantie présentés sur le site Web de votre pays, ci-dessous.

États-Unis d'Amérique: www.makitatools.com
Canada: www.makita.ca
Autres pays: www.makita.com

ESPECIFICACIONES

Modelo		DGD800		DGD801	
Capacidad máxima del porta útil		6,35 mm (1/4")			
Fresa abrasiva	Diámetro máximo del disco	36 mm (1-7/16")			
	Diámetro máximo del mandril (eje)	6,35 mm (1/4")			
	Longitud máxima del mandril (eje)	46 mm (1-13/16")			
Velocidad reportada (RPM)		26 000 r/min			
Longitud total		402 mm (15-3/4")		307 mm (12-1/8")	
Peso neto		1,7 kg (3,8 lbs)	2,0 kg (4,4 lbs)	1,4 kg (3,1 lbs)	1,7 kg (3,8 lbs)
Tensión nominal		18 V c.c.			
Cartucho de batería estándar		BL1815N / BL1820B	BL1830 / BL1830B / BL1840B / BL1850B / BL1860B	BL1815N / BL1820B	BL1830 / BL1830B / BL1840B / BL1850B / BL1860B

- Debido a nuestro programa continuo de investigación y desarrollo, las especificaciones aquí dadas están sujetas a cambios sin previo aviso.
- Las especificaciones y el cartucho de la batería pueden variar de país a país.
- Peso de acuerdo al procedimiento de EPA-01/2003 incluyendo el cartucho de la batería

Advertencias de seguridad generales para herramientas eléctricas

⚠️ ADVERTENCIA: lea todas las advertencias de seguridad e instrucciones. Si no sigue todas las advertencias e instrucciones indicadas a continuación, podrá ocasionar una descarga eléctrica, un incendio y/o lesiones graves.

Guarde todas las advertencias e instrucciones para su futura referencia.

El término "herramienta eléctrica" se refiere, en todas las advertencias que aparecen a continuación, a su herramienta eléctrica de funcionamiento con conexión a la red eléctrica (con cableado eléctrico) o herramienta eléctrica de funcionamiento a batería (inalámbrica).

Seguridad en el área de trabajo

1. **Mantenga el área de trabajo limpia y bien iluminada.** Las áreas oscuras o desordenadas son propensas a accidentes.
2. **No utilice las herramientas eléctricas en atmósferas explosivas, tal como en la presencia de líquidos, gases o polvo inflamables.** Las herramientas eléctricas crean chispas que pueden prender fuego al polvo o los humos.
3. **Mantenga a los niños y curiosos alejados mientras utiliza una herramienta eléctrica.** Las distracciones le pueden hacer perder el control.

Seguridad eléctrica

4. **Las clavijas de conexión de las herramientas eléctricas deberán encajar perfectamente en la toma de corriente. No modifique nunca la clavija de conexión de ninguna forma. No utilice ninguna clavija adaptadora con herramientas**

eléctricas que tengan conexión a tierra (puesta a tierra). La utilización de clavijas no modificadas y que encajen perfectamente en la toma de corriente reducirá el riesgo de que se produzca una descarga eléctrica.

5. **Evite tocar con el cuerpo superficies conectadas a tierra o puestas a tierra tales como tubos, radiadores, cocinas y refrigeradores.** Si su cuerpo es puesto a tierra o conectado a tierra existirá un mayor riesgo de que sufra una descarga eléctrica.
6. **No exponga las herramientas eléctricas a la lluvia ni a condiciones húmedas.** La entrada de agua en una herramienta eléctrica aumentará el riesgo de que se produzca una descarga eléctrica.
7. **No jale el cable. Nunca utilice el cable para transportar, jalar o desconectar la herramienta eléctrica. Mantenga el cable alejado del calor, aceite, objetos cortantes o piezas móviles.** Los cables dañados o atrapados aumentan el riesgo de sufrir una descarga eléctrica.
8. **Cuando utilice una herramienta eléctrica en exteriores, utilice un cable de extensión apropiado para uso en exteriores.** La utilización de un cable apropiado para uso en exteriores reducirá el riesgo de que se produzca una descarga eléctrica.
9. **Si no es posible evitar usar una herramienta eléctrica en condiciones húmedas, utilice un alimentador protegido con interruptor de circuito de falla en tierra (ICFT).** El uso de un ICFT reduce el riesgo de descarga eléctrica.

Seguridad personal

10. **Manténgase alerta, preste atención a lo que está haciendo y utilice su sentido común cuando opere una herramienta eléctrica. No utilice la herramienta eléctrica cuando esté cansado o bajo la influencia de drogas, alcohol o medicamentos.** Un momento de distracción mientras opera la máquina puede dar como resultado heridas personales graves.

11. **Use equipo de protección personal. Póngase siempre protección para los ojos.** El equipo protector tal como máscara contra el polvo, zapatos de seguridad antiderrapantes, casco rígido y protección para oídos utilizado en las condiciones apropiadas reducirá las heridas personales.
12. **Impida el encendido accidental. Asegúrese de que el interruptor esté en la posición de apagado antes de conectar a la alimentación eléctrica y/o de colocar el cartucho de la batería, así como al levantar o cargar la herramienta.** Cargar las herramientas eléctricas con su dedo en el interruptor o enchufarlas con el interruptor encendido hace que los accidentes sean propensos.
13. **Retire cualquier llave de ajuste o llave de apriete antes de encender la herramienta.** Una llave de ajuste o llave de apriete que haya sido dejada puesta en una parte giratoria de la herramienta eléctrica podrá resultar en heridas personales.
14. **No utilice la herramienta donde no alcance. Mantenga los pies sobre suelo firme y el equilibrio en todo momento.** Esto permite un mejor control de la herramienta eléctrica en situaciones inesperadas.
15. **Use vestimenta apropiada. No use ropas sueltas ni joyas. Mantenga el cabello, la ropa y los guantes alejados de las piezas móviles.** Las prendas de vestir holgadas, las joyas y el cabello suelto podrían engancharse en estas piezas móviles.
16. **Si dispone de dispositivos para la conexión de equipos de extracción y recolección de polvo, asegúrese de conectarlos y utilizarlos debidamente.** La utilización de estos dispositivos reduce los riesgos relacionados con el polvo.

Mantenimiento y uso de la herramienta eléctrica

17. **No fuerce la herramienta eléctrica. Utilice la herramienta eléctrica correcta para su aplicación.** La herramienta eléctrica adecuada hará un trabajo mejor a la velocidad para la que ha sido fabricada.
18. **No utilice la herramienta eléctrica si el interruptor no la enciende y apaga.** Cualquier herramienta eléctrica que no pueda ser controlada con el interruptor es peligrosa y debe ser reemplazada.
19. **Desconecte la clavija de la fuente de energía y/o la batería de la herramienta eléctrica antes de realizar ajustes, cambiar accesorios o guardar las herramientas eléctricas.** Dichas medidas de seguridad preventivas reducen el riesgo de que la herramienta se inicie accidentalmente.
20. **Guarde la herramienta eléctrica que no use fuera del alcance de los niños y no permita que las personas que no están familiarizadas con ella o con las instrucciones la operen.** Las herramientas eléctricas son peligrosas en manos de personas que no saben operarlas.
21. **Realice el mantenimiento a las herramientas eléctricas. Compruebe que no haya partes móviles desalineadas o estancadas, piezas rotas y cualquier otra condición que pueda afectar al funcionamiento de la herramienta eléctrica. Si la herramienta eléctrica está dañada, haga que se la reparen antes de utilizarla.** Muchos accidentes son ocasionados por herramientas eléctricas con un mal mantenimiento.

22. **Mantenga las herramientas de corte limpias y filosas.** Si recibe un mantenimiento adecuado y tiene los bordes afilados, es probable que la herramienta se atascue menos y sea más fácil controlarla.
 23. **Utilice la herramienta eléctrica, así como accesorios, piezas, brocas, etc. de acuerdo con estas instrucciones y de la manera establecida para cada tipo de unidad en particular; tenga en cuenta las condiciones laborales y el trabajo a realizar.** Si utiliza la herramienta eléctrica para realizar operaciones distintas de las indicadas, podrá presentarse una situación peligrosa.
- Uso y cuidado de la herramienta a batería**
24. **Realice la recarga sólo con el cargador especificado por el fabricante.** Un cargador que es adecuado para un solo tipo de batería puede generar riesgo de incendio al ser utilizado con otra batería.
 25. **Utilice las herramientas eléctricas solamente con las baterías designadas específicamente para ellas.** La utilización de cualquier otra batería puede crear un riesgo de heridas o incendio.
 26. **Cuando no se esté usando el cartucho de la batería, manténgalo alejado de otros objetos metálicos, como sujetapapeles (clips), monedas, llaves, clavos, tornillos u otros objetos pequeños de metal los cuales pueden actuar creando una conexión entre las terminales de la batería.** Cerrar el circuito de las terminales de la batería puede causar quemaduras o incendios.
 27. **En condiciones abusivas, podrá escapar líquido de la batería; evite tocarlo. Si lo toca accidentalmente, enjuague con agua. Si hay contacto del líquido con los ojos, acuda por ayuda médica.** Puede que el líquido expulsado de la batería cause irritación o quemaduras.

Servicio de mantenimiento

28. **Haga que una persona calificada repare la herramienta utilizando sólo piezas de repuesto idénticas.** Esto asegura que se mantenga la seguridad de la herramienta eléctrica.
29. **Siga las instrucciones para la lubricación y cambio de accesorios.**
30. **Mantenga las agarraderas secas, limpias y sin aceite o grasa.**

ADVERTENCIAS DE SEGURIDAD PARA EL RECTIFICADOR INALÁMBRICO

Advertencias de seguridad comunes para la operación de esmerilado:

1. **Esta herramienta eléctrica está diseñada para funcionar como una esmeriladora. Lea todas las advertencias de seguridad, así como las instrucciones, ilustraciones y especificaciones que se incluyen con esta herramienta eléctrica.** No seguir todas las instrucciones que se presentan a continuación puede que resulte en descarga eléctrica, incendio y/o lesión grave.
2. **Las operaciones tales como lijado, cepillado con alambre, pulido o cortes no se recomiendan hacerse con esta herramienta eléctrica.** Puede que las operaciones para las cuales esta herramienta eléctrica no está diseñada generen un peligro resultando en lesiones personales.

3. **No use accesorios que no hayan sido específicamente diseñados o recomendados por el fabricante de esta herramienta.** Sólo por que un aditamento pueda ensamblarse en su herramienta eléctrica no garantiza una operación segura.
4. **La velocidad que se indica con el accesorio debe ser por lo menos la misma a la velocidad máxima marcada en la herramienta eléctrica.** Los accesorios que se ejecuten a mayor velocidad que la velocidad que indiquen pueden desintegrarse.
5. **El diámetro externo y el grosor de su accesorio debe estar dentro de la capacidad indicada de su herramienta eléctrica.** Los accesorios de tamaño que no corresponda para usarse con la herramienta no podrán ser controlados adecuadamente.
6. **El tamaño del eje de los accesorios debe encajar correctamente en el sujetador de la herramienta eléctrica.** Los accesorios que no correspondan con el equipo de montura de la herramienta eléctrica se desequilibrarán, vibrarán excesivamente y puede que generen pérdida del control.
7. **Los accesorios con montura de mandril deberán ser completamente insertados en el sujetador o mandril.** Si el mandril queda con una fijación insuficiente y/o el saliente del disco es excesivo, puede que el accesorio colocado se afloje y salga expulsado a alta velocidad.
8. **No use accesorios dañados. Antes de cada uso, inspeccione el accesorio como los discos de corte abrasivo para verificar que no haya grietas en el disco ni residuos. Si llega a caerse la herramienta eléctrica o el accesorio, revise si ocurrieron daños o use un accesorio que no tenga daños. Tras haber inspeccionado y puesto el accesorio, colóquese usted, así como a las personas alrededor, alejados del plano del accesorio giratorio y ejecute la herramienta a una velocidad máxima sin carga por un minuto.** Los accesorios dañados por lo general se desintegrarán durante este periodo de prueba.
9. **Use equipo de protección personal.** Dependiendo de la aplicación, utilice careta o gafas protectoras. Según sea apropiado, utilice mascarilla contra el polvo, protectores para los oídos, guantes y mandil de trabajo capaz de detener fragmentos abrasivos que se generen con la pieza de trabajo. La protección ocular debe ser capaz de detener la partículas que se proyecten a raíz de varias operaciones. La mascarilla contra el polvo o el respirador deben ser capaces de filtrar las partículas generadas durante la operación. La exposición prolongada al ruido de alta intensidad puede ocasionar pérdida auditiva.
10. **Mantenga a las personas alrededor a una distancia segura y apartada del área de trabajo. Cualquiera que ingrese al área de trabajo debe usar equipo protector.** Los fragmentos de la pieza de trabajo o de algún accesorio roto podrán salir proyectados a un área mayor a la inmediata y causar lesiones.
11. **Sujete la herramienta eléctrica por las superficies de sujeción aisladas solamente al realizar una operación en la que la pieza cortadora pueda entrar en contacto con cables ocultos.** El contacto del accesorio de corte con un cable con corriente podrá hacer que la corriente pase por las partes metálicas expuestas de la herramienta eléctrica y ocasionar una descarga eléctrica al operador.
12. **Sujete siempre la herramienta con firmeza con su(s) mano(s) durante el arranque.** La reacción de la fuerza de torsión del motor, a medida que acelera a velocidad total, podría ocasionar que la herramienta se tuerza.
13. **Use prensas para sujetar la pieza de trabajo siempre que sea práctico hacerlo. Nunca sujete una pieza de trabajo pequeña con una mano, mientras con la otra maneja la herramienta.** Sujetar con prensas una pieza de trabajo pequeña le permitirá emplear su(s) manos para tener un total control de la herramienta. Las piezas redondas como los taquetes (clavijas de madera), tubos y similares tienen la tendencia de rodar mientras están siendo cortados, y puede que ocasionen que la broca se atasque o que reaccione de contragolpe hacia usted.
14. **Nunca coloque la herramienta eléctrica en el suelo hasta que el accesorio se haya detenido por completo.** Puede que el accesorio giratorio haga tracción con la superficie y que jale la herramienta eléctrica quitándole el control.
15. **Tras cambiar entre brocas o hacer cualquier tipo de ajustes, asegúrese de que la tuerca de sujeción, mandril o cualquier dispositivo de ajuste queden firmemente apretados.** Un ajuste holgado de estos dispositivos puede ocasionar desplazamientos inadvertidos, resultando en pérdida del control, así como en el arrojamiento de las piezas giratorias aflojadas.
16. **No ejecute la herramienta eléctrica cuando la esté cargando a su costado.** El contacto accidental con un accesorio giratorio pudiera engancharse en su ropa jalando la herramienta hacia su cuerpo.
17. **Limpie periódicamente las aberturas de ventilación de la herramienta eléctrica.** El ventilador del motor atraerá polvo hacia adentro de la carcasa y puede que la acumulación excesiva de polvo metálico ocasione daños eléctricos.
18. **No opere la herramienta motorizada cerca de materiales inflamables.** Las chispas podrían inflamar estos materiales.
19. **No utilice accesorios que requieran de líquidos enfriadores.** El uso de agua o de cualquier otro líquido enfriador puede que resulte en descargas eléctricas o electrocución.

Retrocesos bruscos y advertencias relacionadas

El retroceso brusco es una reacción repentina que se genera con un accesorio giratorio que se atasca o trava al estar girando. El atascamiento o trabado genera una rápido detenimiento del accesorio giratorio lo cual a su vez genera que la herramienta eléctrica no controlada se fuerce en la dirección opuesta a la rotación del accesorio. Por ejemplo, si un disco abrasivo se trava o atasca debido a la pieza de trabajo, el borde del disco que está ingresando hacia el punto de atascamiento puede introducirse hacia la superficie del material ocasionando que el disco se salga bruscamente. Puede que el disco salte hacia el operador o hacia dirección opuesta de él, dependiendo de la dirección del movimiento del disco al momento del atascamiento. Puede que además los discos abrasivos se rompan bajo estas condiciones.

El retroceso es el resultado de un mal uso de la herramienta eléctrica o de condiciones o procedimientos de uso incorrectos y se puede evitar tomando las precauciones que se indican a continuación.

a) **Mantenga una sujeción firme de la herramienta eléctrica y coloque su cuerpo y brazo de manera tal de permitirle resistir las fuerzas de los retrocesos bruscos.** El operador puede controlar las fuerzas de los retrocesos bruscos si se toman las precauciones adecuadas.

b) **Tenga especial cuidado al trabajar con esquinas, bordes afilados, etc. Evite el tambaleo y trabado del accesorio.** Las esquinas, bordes afilados o los rebotes tienen la tendencia de trabar el accesorio giratorio y causar una pérdida del control o un retroceso brusco.

c) **No coloque una cuchilla de sierra dentada.** Dichas cuchillas generan retroceso bruscos y pérdida del control con frecuencia.

d) **Alimente siempre la broca en la pieza de trabajo empleando la misma dirección a la del borde de corte que esté saliendo de la pieza (la cual es la misma dirección en la que están saliendo arrojados los residuos).** Alimentar la herramienta en la dirección incorrecta ocasiona que el borde de corte de la broca se salga de la pieza jalando la herramienta hacia la dirección alimentada.

Advertencias de seguridad específicas para las operaciones de esmerilado:

a) **Use solo discos de los tipos que se recomiendan para esta herramienta eléctrica y solamente para las aplicaciones recomendadas.**

Advertencias de seguridad adicionales:

20. **La herramienta está diseñada para usarse con discos abrasivos de puntos reforzados (al esmerilar piedra) colocados permanentemente sobre mandriles (ejes) planos desenroscados.**
21. **Asegúrese de que el disco no esté haciendo contacto con la pieza de trabajo antes de activar el interruptor.**
22. **Antes de utilizar la herramienta en una pieza de trabajo definitiva, déjala funcionar durante un rato. Observe para ver si hay vibración o bamboleo que pueda indicar una incorrecta instalación o un disco mal equilibrado.**
23. **Utilice la superficie especificada del disco para realizar el esmerilado.**
24. **Tenga cuidado con las chispas volantes. Sujete la herramienta de forma que las chispas salgan volando en dirección contraria a usted y otras personas o materiales inflamables.**
25. **No deje la herramienta en marcha. Tenga en marcha la herramienta solamente cuando la tenga en la mano.**
26. **No toque la pieza de trabajo inmediatamente después de operar la herramienta, puesto que puede estar extremadamente caliente y quemarle la piel.**
27. **Observe las instrucciones del fabricante sobre el montaje y uso correcto de los discos. Manipule y almacene cuidadosamente los discos.**
28. **Verifique que la pieza de trabajo esté correctamente sostenida.**

29. **Si el lugar de trabajo es extremadamente caliente y húmedo, o muy contaminado con polvo conductor, utilice un interruptor de corto circuito de (30 mA) para garantizar la seguridad del operario.**
30. **No utilice la herramienta con materiales que contengan asbesto.**
31. **Siempre asegúrese que está parado firmemente. Asegúrese que no hay nadie abajo cuando se use la herramienta en lugares altos.**

GUARDE ESTAS INSTRUCCIONES.

⚠ ADVERTENCIA: NO DEJE que la comodidad o familiaridad con el producto (a base de utilizarlo repetidamente) sustituya la estricta observancia de las normas de seguridad para dicho producto. El MAL USO o el no seguir las normas de seguridad establecidas en este manual de instrucciones puede ocasionar graves lesiones personales.

Símbolos

A continuación se muestran los símbolos utilizados para la herramienta.

V	volts o voltios
— ---	corriente directa o continua
n	velocidad indicada
... /min r /min	revoluciones o alternaciones por minuto, frecuencia de rotación

INSTRUCCIONES IMPORTANTES DE SEGURIDAD

PARA CARTUCHO DE BATERÍA

1. **Antes de utilizar el cartucho de batería, lea todas las instrucciones e indicaciones de precaución sobre (1) el cargador de baterías, (2) la batería, y (3) el producto con el que se utiliza la batería.**
2. **No desarme el cartucho de batería.**
3. **Si el tiempo de operación se ha acortado en exceso, deje de operar de inmediato. Podría correrse el riesgo de sobrecalentamiento, posibles quemaduras e incluso explosión.**
4. **En caso de que ingresen electrolitos en sus ojos, enjuáguelos bien con agua limpia y consulte de inmediato a un médico. Podría perder la visión.**

5. **No cortocircuite el cartucho de batería:**
 - (1) **No toque las terminales con ningún material conductor.**
 - (2) **Evite guardar el cartucho de batería en un cajón junto con otros objetos metálicos, tales como clavos, monedas, etc.**
 - (3) **No exponga la batería de cartucho a la lluvia o nieve.**

Un corto circuito en la batería puede causar un flujo grande de corriente, sobrecalentamiento, posibles quemaduras y aún descomposturas.

6. **No guarde la herramienta ni el cartucho de batería en lugares donde la temperatura pueda alcanzar o exceder los 50°C (122°F).**
7. **Nunca incinere el cartucho de batería incluso en el caso de que esté dañado seriamente o ya no sirva en absoluto. El cartucho de batería puede explotar si se tira al fuego.**
8. **Tenga cuidado de no dejar caer ni golpear el cartucho de batería.**
9. **No use una batería dañada.**
10. **Siga las regulaciones locales relacionadas al desecho de las baterías.**

GUARDE ESTAS INSTRUCCIONES.

⚠PRECAUCIÓN: Use solo baterías auténticas de Makita.

El uso de baterías no auténticas de Makita, o baterías que hayan sido alteradas, puede que resulte en la explosión de la batería, originando un incendio, así como lesiones al usuario y daños. También anulará la garantía de Makita para la herramienta y el cargador Makita.

Consejos para alargar al máximo la vida útil de la batería

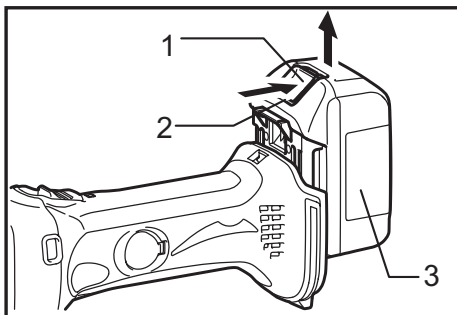
1. **Cargue el cartucho de batería antes de que se descargue completamente. Pare siempre la operación y cargue el cartucho de batería cuando note menos potencia en la herramienta.**
2. **No cargue nunca un cartucho de batería que esté completamente cargado. La sobrecarga acortará la vida de servicio de la batería.**
3. **Cargue el cartucho de batería a temperatura ambiente de 10°C - 40°C (50°F - 104°F). Si un cartucho de batería está caliente, déjelo enfriar antes de cargarlo.**
4. **Cargue el cartucho de batería si no lo ha usado por un largo período (más de seis meses).**

DESCRIPCIÓN DEL FUNCIONAMIENTO

⚠PRECAUCIÓN:

- Asegúrese siempre de que la herramienta esté apagada y el cartucho de batería extraído antes de realizar cualquier ajuste o comprobación en la herramienta.

Instalación o desmontaje del cartucho de batería



► 1. Botón 2. Indicador rojo 3. Cartucho de batería

⚠PRECAUCIÓN:

- Apague siempre la herramienta antes de colocar o quitar el cartucho de batería.
- **Sujete la herramienta y el cartucho de la batería con firmeza al colocar o quitar el cartucho.** Si no se sujeta con firmeza la herramienta y el cartucho de la batería, puede ocasionar que se resbalen de sus manos resultando en daños a la herramienta y al cartucho, así como lesiones a la persona.

Para quitar el cartucho de batería, deslícelo de la herramienta mientras desliza el botón sobre la parte delantera del cartucho.

Para colocar el cartucho de batería, alinee la lengüeta sobre el cartucho de batería con la ranura en la carcasa y deslice en su lugar. Inserte por completo hasta que se fije en su lugar con un pequeño clic. Si puede ver el indicador rojo del lado superior del botón, esto indica que no ha quedado fijo por completo.

⚠PRECAUCIÓN:

- Introduzca siempre completamente el cartucho de batería hasta que el indicador rojo no pueda verse. Si no, podría accidentalmente salirse de la herramienta y caer al suelo causando una lesión a usted o alguien a su alrededor.
- No instale el cartucho de batería a la fuerza: si el cartucho no se desliza al interior fácilmente, se debe a que no está siendo insertado correctamente.

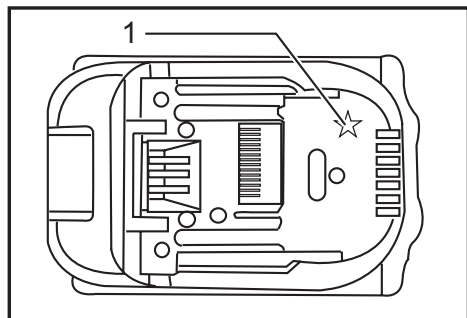
Sistema de protección de la batería

La herramienta está equipada con un sistema de protección de la batería. Este sistema corta en forma automática el suministro de energía al motor para prolongar la vida útil de la batería.

La herramienta se detendrá automáticamente durante el funcionamiento si la herramienta y/o la batería se someten a una de las siguientes condiciones:

- **Sobrecarga:**
La herramienta se está utilizando de una manera que causa que consuma una cantidad de corriente inusualmente alta. En este caso, apague la herramienta y detenga la aplicación que causó que la herramienta se sobrecargara. Luego encienda la herramienta y reinicie. Si la herramienta no empieza a funcionar, significa que la batería se sobrecalentó. En este caso, espere que la batería se enfríe antes de volver a encender la herramienta.
- **Bajo voltaje de la batería:**
La capacidad restante de la batería es demasiado baja y la herramienta no funcionará. En este caso, extraiga la batería y vuelva a cargarla.

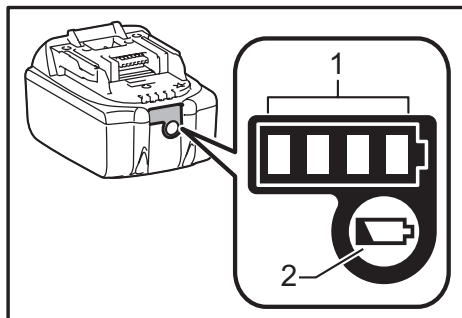
NOTA: La protección contra el sobrecalentamiento funciona solamente con una cartucho de batería el cual presente una marca de estrella.



► 1. Marca de estrella

Indicación de la capacidad restante de la batería

(Solo para cartuchos de batería con una "B" al final del número de modelo.)



► 1. Luces indicadoras 2. Botón de verificación "CHECK"

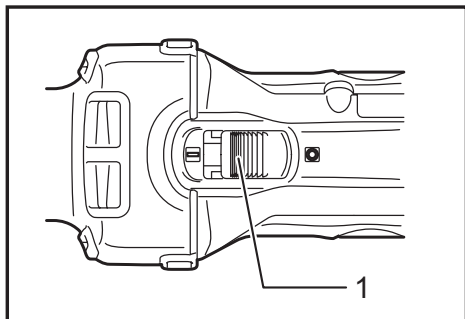
Presione el botón de comprobación en el cartucho de la batería para indicar la capacidad restante de la batería. La luz indicadora se enciende por algunos segundos.

Luces indicadoras			Capacidad restante
Encendido	APAGADO	Intermitencia	
■	■	■	75% a 100%
■	■	□	50% a 75%
■	□	□	25% a 50%
■	□	□	0% a 25%
▬	□	□	Recargue la batería.
■	■	□	Puede que haya un defecto en el funcionamiento de la batería.
□	□	■	

NOTA:

- Dependiendo de las condiciones de uso y de la temperatura ambiental, puede que el nivel indicado difiera ligeramente de la capacidad real de la batería.

Accionamiento del interruptor



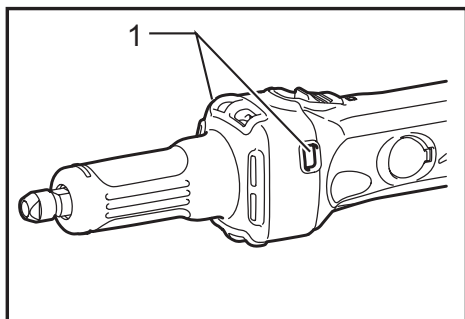
► 1. Interruptor deslizable

⚠PRECAUCIÓN:

- Antes de colocar el cartucho de la batería en la herramienta, siempre verifique que el interruptor de deslizamiento funciona adecuadamente y que retorna a la posición de apagado "OFF" al presionar la parte trasera de dicho interruptor.
- El interruptor puede ser bloqueado en la posición "ON" (encendido) para mayor comodidad del operario durante una utilización prolongada. Tenga precaución cuando bloquee la herramienta en la posición "ON" (encendido) y sujete la herramienta firmemente.

Para poner en marcha la herramienta, deslice el interruptor deslizable hacia la posición "I" (ON-Encendido). Para una operación continua, presione la parte delantera del interruptor deslizable para bloquearlo. Para parar la herramienta, presione la parte trasera del interruptor deslizable, después deslícelo hacia la posición "O" (OFF-Apagado).

Luz indicadora de función múltiple



► 1. Luz indicadora

Las luces indicadoras se ubican en dos lugares. Cuando el cartucho de la batería está puesto en la herramienta con el interruptor de deslizamiento en la posición "O" de apagado ("OFF"), la luz indicadora parpadea rápidamente por aproximadamente un segundo. Si no parpadea así, el cartucho de la batería o la luz indicadora no está funcionando.

— Protección contra sobrecarga

- Cuando la herramienta está sobrecargada, la luz indicadora se ilumina. Al reducir la carga en la herramienta, la luz indicadora se apaga.
- Si la herramienta continúa sobrecargada, así como la luz indicadora sigue encendida por aproximadamente dos segundos, la herramienta se detiene. Esto previene que el motor y sus partes relacionadas se dañen.
- En este caso, para encender la herramienta de nuevo, deslice el interruptor a la posición de apagado "O" ("OFF") y regréselo a la posición de encendido "I" ("ON").

— Señal de reemplazo del cartucho de la batería

- Cuando la capacidad restante de batería se reduce, la luz indicadora se enciende durante la operación para señalar que es el momento de cambiar la batería.

— Función preventiva de reinicio accidental

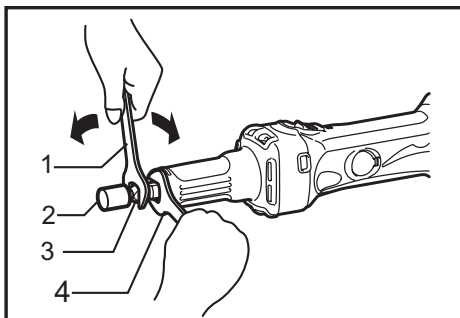
- Incluso cuando el cartucho de la batería está insertado en la herramienta con el interruptor de deslizamiento en la posición de encendido "I" ("ON"), la herramienta no enciende. En este momento, la luz indicadora parpadea lentamente y esto muestra que la función preventiva contra reinicio accidental está en ejecución.
- Para iniciar la herramienta, primero deslice el interruptor hacia la posición de apagado "O" ("OFF") y luego vuélvalo a deslizar a la posición de encendido "I" ("ON").

ENSAMBLE

⚠PRECAUCIÓN:

- Asegúrese siempre de que la herramienta esté apagada y el cartucho de batería extraído antes de realizar cualquier trabajo en la misma.

Cómo instalar o quitar la fresa abrasiva

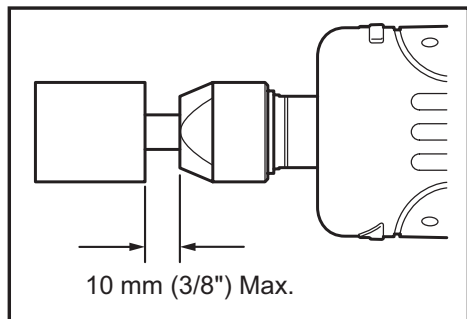


► 1. Herramienta 13 2. Fresa abrasiva 3. Tuerca 4. Herramienta 13

Afloje la tuerca del porta útil e inserte la punta de la rueda dentro de la misma tuerca del porta útil. Use una de las llaves para sostener el eje y la otra para apretar la tuerca del porta útil de forma fija.

La punta de la rueda no se debe montar a más de 10 mm (3/8") de la tuerca del porta útil. Exceder esta distancia puede causar vibración o un eje roto.

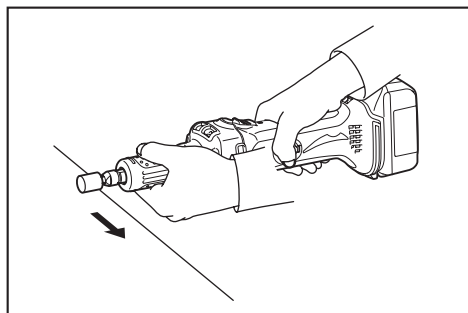
Para quitar la fresa abrasiva, siga el procedimiento de instalación al revés.



⚠PRECAUCIÓN:

- Como equipo estándar se proporciona un porta útil o pinza de sujeción de 1/4" (6,3mm). Use un porta útil o pinza de sujeción opcional de 1/8" (3,1mm) para instalar una fresa abrasiva con una espiga de 1/8" (3,1mm).

OPERACIÓN



Encienda la herramienta sin que ningún punto de la fresa esté haciendo contacto con la pieza de trabajo y espere hasta que ésta haya alcanzado su máxima velocidad. Luego haga contacto con la fresa abrasiva en la pieza de trabajo suavemente. Para conseguir un buen acabado, mueva la herramienta en dirección hacia la izquierda lentamente.

⚠PRECAUCIÓN:

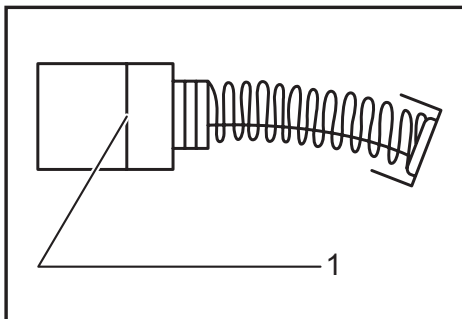
- Aplique una presión ligera en la herramienta. Excesiva presión en la herramienta solamente causará un acabado deficiente y sobrecarga del motor.

MANTENIMIENTO

⚠PRECAUCIÓN:

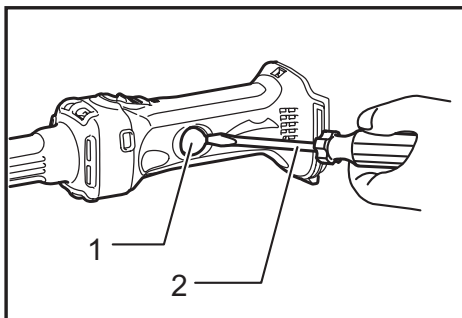
- Asegúrese siempre de que la herramienta esté apagada y el cartucho de batería extraído antes de intentar realizar una inspección o mantenimiento.
- Nunca use gasolina, bencina, diluyente (tíner), alcohol o sustancias similares. Puede que esto ocasione grietas o descoloramiento.

Reemplazamiento de las escobillas de carbón



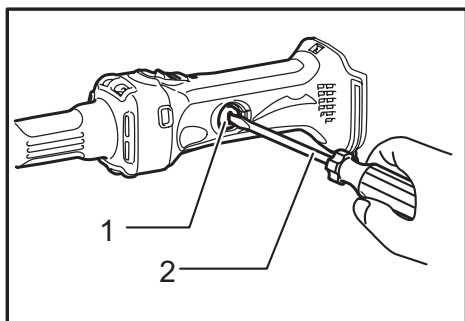
► 1. Marca límite

Extraiga e inspeccione de forma periódica las escobillas de carbón. Sustitúyalas cuando se hayan gastado hasta la marca límite. Mantenga las escobillas de carbón limpias de forma que entren libremente en los portaescobillas. Ambas escobillas de carbón deberán ser sustituidas al mismo tiempo. Utilice únicamente escobillas de carbón originales e idénticas.



► 1. Tapadera del sujetador 2. Destornillador

Inserte el extremo superior del desarmador de punta plana en la ranura sobre la herramienta y retire la tapadera del sujetador al levantar.

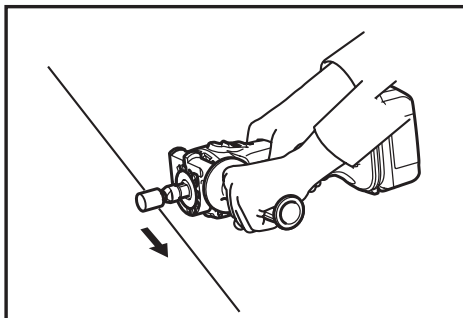
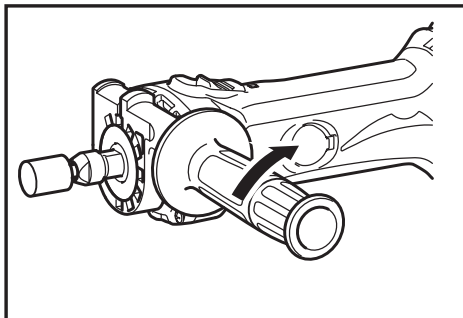
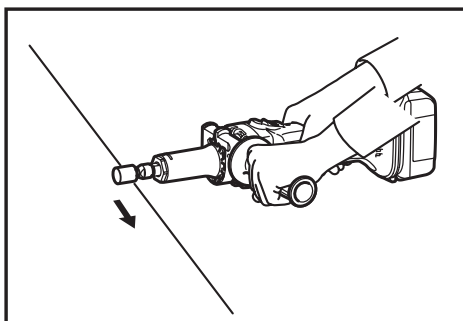


► 1. Tapa del carbón 2. Destornillador

Utilice un destornillador para quitar Tapa del carbón. Extraiga las escobillas gastadas, inserte las nuevas y vuelva a colocar las tapas.

Reinstale la tapadera del sujetador sobre la herramienta.

Para mantener la SEGURIDAD y FIABILIDAD del producto, las reparaciones, y cualquier otra tarea de mantenimiento o ajuste deberán ser realizadas en Centros de Servicio Autorizados por Makita, empleando siempre repuestos Makita.



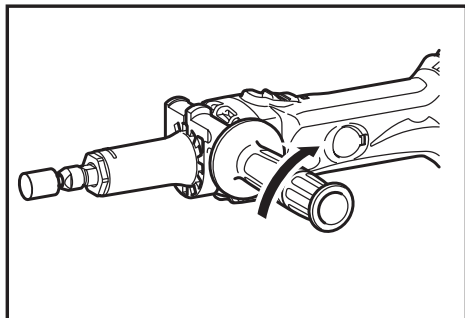
ACCESORIOS OPCIONALES

⚠ PRECAUCIÓN:

- Estos accesorios o aditamentos (incluidos o no) están recomendados para utilizar con su herramienta Makita especificada en este manual. El empleo de cualesquiera otros accesorios o acoplamientos conllevará un riesgo de sufrir heridas personales. Utilice los accesorios o acoplamientos solamente para su fin establecido.

Si necesita cualquier ayuda para más detalles en relación con estos accesorios, pregunte a su centro de servicio Makita local.

Empuñadura lateral (acesorio opcional)



Al usar el mango lateral, retire el protector de hule, inserte el mango lateral en el cuerpo de la herramienta hasta su máximo punto y gire para dejarlo en el ángulo deseado. Luego apriete el mango firmemente al girar en sentido de las manecillas del reloj.

⚠ PRECAUCIÓN:

- Cuando use la herramienta sin el mango, siempre instale el protector de hule en la herramienta.
- Al instalar el protector de hule, insértelo siempre en la herramienta hasta que la parte superior redonda en relieve del hule quede orientada cerca de la posición del interruptor.

- Puntas de rueda
- Cono del porta piezas (de 1/4, 1/8 de pulgada)
- Tuerca ajustadora
- Llave del 13
- Mango lateral ajustable
- Batería y cargador originales de Makita

NOTA:

- Algunos de los artículos en la lista puede que vengan junto con el paquete de la herramienta como accesorios incluidos. Puede que estos accesorios varíen de país a país.

GARANTÍA LIMITADA DE MAKITA

Ésta Garantía no aplica para México

Consulte la hoja de la garantía anexa para ver los términos más vigentes de la garantía aplicable a este producto. En caso de no disponer de esta hoja de garantía anexa, consulte los detalles sobre la garantía descritos en el sitio web de su país respectivo indicado a continuación.

Estados Unidos de América: www.makitatools.com

Canadá: www.makita.ca

Otros países: www.makita.com

< USA only >

WARNING

Some dust created by power sanding, sawing, grinding, drilling, and other construction activities contains chemicals known to the State of California to cause cancer, birth defects or other reproductive harm. Some examples of these chemicals are:

- lead from lead-based paints,
- crystalline silica from bricks and cement and other masonry products, and
- arsenic and chromium from chemically-treated lumber.

Your risk from these exposures varies, depending on how often you do this type of work. To reduce your exposure to these chemicals: work in a well ventilated area, and work with approved safety equipment, such as those dust masks that are specially designed to filter out microscopic particles.

< Sólo en los Estados Unidos >

ADVERTENCIA

Algunos polvos creados por el lijado, aserrado, esmerilado, taladrado y otras actividades de la construcción contienen sustancias químicas reconocidas por el Estado de California como causantes de cáncer, defectos de nacimiento y otros peligros de reproducción. Algunos ejemplos de estos productos químicos son:

- plomo de pinturas a base de plomo,
- sílice cristalino de ladrillos y cemento y otros productos de albañilería, y
- arsénico y cromo de maderas tratadas químicamente.

El riesgo al que se expone varía, dependiendo de la frecuencia con la que realice este tipo de trabajo. Para reducir la exposición a estos productos químicos: trabaje en un área bien ventilada y póngase el equipo de seguridad indicado, tal como las máscaras contra polvo que están especialmente diseñadas para filtrar partículas microscópicas.

Makita Corporation

3-11-8, Sumiyoshi-cho,
Anjo, Aichi 446-8502 Japan

www.makita.com

885292J935
DGD800-1
EN, FRCA, ESMX
20170927